





Lexmark W850 Series

Lexmark W850n Lexmark W850dn

-  A3
-  PRINT
-  UP TO 50 PPM
-  NETWORK



A powerful performer
for A3 printing!



Print Less. Save More.

Print less? This may seem like a surprising message for a company dedicated solely to printing. But when you consider that businesses spend, on average, up to 6% of their turnover on printing, and that active print management can cut office print costs by up to 30%¹, it makes a lot of sense. Lexmark products, solutions and services provide innovative ways to save you time, drive down costs and reduce your impact on the environment. We are committed to helping you print less and save more.

¹ Source: InfoTrends/CapVentures, «Network Document Solutions Forecast 2007-2012, Network Document Solutions Consulting Service», August, 2008

To reach your true productivity potential, you need to leverage technology that can make a real difference. The Lexmark W850n Series delivers game-changing power and performance at every level. These robust workhorses provide the exceptional input capacity and reliability that print-intensive workgroups demand, with the added advantages of A3 media support and optional finishing. With innovative ease-of-use features and built-in intelligence that keeps the print queue flowing, the Lexmark W850n Series is your clear path to greater efficiency.



Serious printing performance

Equipped with a powerful processor and impressive memory, Lexmark W850n Series printers will zip through complex print jobs with ease. Enhance your productivity with print speeds up to 50 ppm, and the first page out in as few as 6 seconds when printing A4 documents.

- Experience a serious performance boost with 800MHz processing and 256MB of RAM as standard
- Achieve quality business-class documents with 1200 x 1200 dpi printing
- Discover the speed and efficiency of Gigabit networking
- Add the optional hard disk for even greater functionality



Exceptional versatility

From start to finish, the Lexmark W850n Series is ideal for large print volumes and adapts seamlessly to virtually any type of job – covering a broad array of media types and paper sizes. Opt for additional drawers to boost your total input capacity, and the finisher option to complete your print runs with a professional touch.

- Finish the job with stapling, hole punching (2/3 or 2/4 holes) and offset stacking
- Add extra drawers to expand your input capacity up to 5,100 sheets
- Connect on your own terms with options such as fibre-optic and wireless



Smart efficiency features

Reliable high-speed printing is a must-have. But in today's competitive business landscape, upgrading to the latest technology can take you to an even higher plane of productivity and efficiency. The Lexmark W850n Series features innovative and intelligent technology to maximise your uptime and make the most of your resources.

- When a print job is launched without the appropriate media loaded, Job Waiting keeps the other jobs flowing (hard disk required)
- Direct Web printing gives you simple, on-demand printing of Web-based reports and documents
- The Lexmark Embedded Solutions Framework makes it easy for Lexmark or its partners to deploy customised document-management and workflow solutions to your printer. (To learn more about Lexmark Solutions, contact your Lexmark representative.)

Prints black, thinks green

Printing responsibly means everyone wins – your business, your budget and the environment! Lexmark W850n Series printers are designed with sustainability in mind. They're incredibly quiet and equipped with a range of eco-conscious features to help you print greener at every phase of your business.

- Built-in duplex printing model available to reduce paper consumption
- Eco-Mode reduces power consumption
- Quiet Mode setting allows ultra-quiet operation
- Free recycling of empty toner cartridges through the Lexmark Cartridge Collection Programme



Lexmark W850 Series

Explore the features that keep you moving



Flexible finishing

Create professional documents in-house with the optional finisher (hole-punches and offset stacks).



Direct USB

Convenient front-side Direct USB port lets you print PDFs and other image files directly from a portable memory device.



Secure PIN release

Protect sensitive documents by using the numeric pad to release confidential jobs.



Easy operation

The four-line graphical display offers intuitive visuals for exceptionally simple user operation.



Wireless capability

Break free from network cables with the Wi-Fi CERTIFIED™ n wireless print server option.



Expandable input

With available input capacity up to 5,100 sheets, you'll spend more time printing and less time loading paper drawers.

Rock-solid reliability!

Introducing the Lexmark W850n Series. These high-speed monochrome laser printers deliver professional results, outstanding performance and first-rate versatility for all your high-volume printing needs.

Backed by Lexmark's proven track record in product innovation, they ensure maximum uptime while delivering fast, high-quality pages year after year.

In addition, you'll benefit from Lexmark's solid 1-Year Onsite Service guarantee, which provides you with next-business-day response. (See Lexmark Statement of Limited Warranty for full details)

Discover a truly reliable solution that meets your highest expectations!

The Productivity Checklist

If you've got all these, then you've got a Lexmark!



Intelligent Job Waiting

One person's setback should never mean a bottleneck for the whole workgroup! For example, why lose precious uptime when someone launches a print job that requires labels but no labels are loaded. Lexmark's Job Waiting feature will simply hold that job aside while everyone else goes on working without interruption (hard disk required).

Cutting-edge security

From network security to user-access restrictions, Lexmark makes sure you're fully equipped with the tools you need to keep your valuable corporate data safe and sound. In addition to IPSec, SNMPv3 and 802.1x network security, the Lexmark W850n Series offers a numeric pad for easy PIN authentication, plus encryption and disk wiping to secure the optional hard disk.

Simplified management

Take a load off your IT department. Lexmark W850n printers are network-ready and very easy to set up. If you have multiple Lexmark devices installed, the Lexmark Universal Driver offers even easier deployment. Once you're up and running, Lexmark MarkVision™ Professional software provides simplified remote management and automated tools to keep your workday flowing!

Optional finishing

Work more efficiently than ever before. Equipped with all the tools you need to complete your print runs, now you can print business-quality documents on-demand and in-house, eliminating extra handling and storage. Lexmark finishing features include stapling, hole-punching (2/3 or 2/4 holes) and convenient offset stacking.

Lexmark's guarantee to you

Lexmark's 1-Year Onsite guarantee on the Lexmark W850 Series gives you added peace of mind. Enhanced service offerings may be available by contacting your Lexmark representative or visiting www.lexmark.com. Optimise your printer's performance and investment value by using genuine Lexmark supplies, service and parts.

(See Lexmark Statement of Limited Warranty for full details)

Get exactly the performance you need



Lexmark W850n

A powerful performer for A3 printing!

- Up to 50 ppm print speeds
- Fast Gigabit networking
- 800MHz processor included
- 256MB standard memory
- 1,100-sheet standard input, 5,100-sheet maximum
- 500-sheet standard output, 3,800-sheet maximum
- Toner cartridge yield: up to 35,000* pages
- Recommended monthly volume: 15,000 to 59,000 pages

* Average standard page yield value declared in accordance with ISO/IEC 19752.



Lexmark W850dn

All the benefits of the W850n, plus two-sided printing

- Paper-saving duplex printing built in

	Lexmark W850n	Lexmark W850dn
Printing		
Print Technology	Laser, Monochrome	
Print Speed (A4 mono): Up to	50 ppm	
Time to First Page (Black)	As fast as 6 seconds	
Print Resolution, Black	1200 x 1200 dpi, 2400 Image Quality, 600 x 600 dpi	
Memory, standard	256 MB	
Memory network model, maximum	1280 MB	
Noise Level, Operating	55 dBA	
Noise Level, Idle	22 dBA	
Maximum Monthly Duty Cycle: Up to	300000 pages per month	
Recommended Monthly Page Volume	15000 - 59000 Pages	
Supplies		
Supplies Yield (*Average standard page yield value declared in accordance with ISO/IEC 19752)	60,000 page Photoconductor Unit*, 35,000*-page High Yield Toner Cartridge	
Cartridge(s) Shipping with Product	35,000*-page High Yield Toner Cartridge	
Paper Handling		
Paper Handling Standard	500-Sheet Output Bin, Two 500-Sheet Trays, 100-Sheet Multipurpose Feeder	500-Sheet Output Bin, Duplex Unit, Two 500-Sheet Trays, 100-Sheet Multipurpose Feeder
Paper Handling Optional	Duplex Unit, 2,000-Sheet High-capacity Feeder, 2,000-Sheet Dual Input, 2x 500 Sheet Drawers, 3,500-Sheet Finisher	2,000-Sheet High-capacity Feeder, 2,000-Sheet Dual Input, 2x 500 Sheet Drawers, 3,500-Sheet Finisher
Paper Input Capacity, Standard: Up to	1100 pages 75 gsm bond	
Paper Input Capacity, Maximum: Up to	5100 pages 75 gsm bond	
Paper Output Capacity, Standard: Up to	500 pages 75 gsm bond	
Paper Output Capacity, Maximum: Up to	3900 pages 75 gsm bond	
Media Types Supported	Card Stock, Envelopes, Paper Labels, Plain Paper, Transparencies, Refer to the Card Stock & Label Guide	
Media Sizes Supported	10 Envelope, 7 3/4 Envelope, A3, A4, A5, C5 Envelope, DL Envelope, Executive, Folio, JIS-B4, JIS-B5, Ledger, Legal, Letter, Statement, Universal	
Compatibility		
Network Protocol Support	TCP/IP IPv4, IPX/SPX, AppleTalk™, LexLink (DLC), TCP/IP IPv6, TCP, UDP	
Printer Languages (Standard)	PCL 5e Emulation, PCL 6 Emulation, PPDS, PostScript 3 Emulation, xHTML, PDF 1.6, Direct Image, Microsoft XPS (XML Paper Specification)	
Standard Ports	One Internal Card Slot, Gigabit Ethernet (10/100/1000), Hi-Speed USB port Compatible with USB 2.0 Specification (Type B), Front Hi-Speed USB port Compatible with USB 2.0 Specification (Type A), Rear Hi-Speed USB port Compatible with USB 2.0 Specification (Type A)	
Microsoft Windows Operating Systems Supported	2000, XP, Server 2003, XP x64, Server 2003 running Terminal Services, 2000 Server running Terminal Services, Server 2003 x64, Server 2003 x64 running Terminal Services, Vista, Vista x64, Server 2008, Server 2008 x64, Server 2008 running Terminal Services, Server 2008 x64 running Terminal Services, Windows 7	
Apple Macintosh Operating Systems Supported	Mac OS X, Mac OS 9.2	
Other Operating Systems Supported	www.lexmark.co.uk	
General		
Product Guarantee	1-Year Onsite Service, Next Business Day	
Product Certifications	www.lexmark.co.uk	
Size (mm - H x W x D)	508 x 641 x 520 mm	578 x 641 x 520 mm
Weight (kg)	45.6 kg	49.4 kg
Specified Operating Environment	Temperature: 16 to 32°C (60 to 90°F), Humidity: 8 to 80% Relative Humidity, Altitude: 0 - 3048 Meters (10,000 Feet)	

Recommended Monthly Page Volume

«Recommended Monthly Page Volume» is a range of pages that helps customers evaluate Lexmark's product offerings based on the average number of pages customers plan to print on the device each month. Lexmark recommends that the number of pages per month be within the stated range for optimum device performance, based on factors including: supplies replacement intervals, paper loading intervals, speed, and typical customer usage.

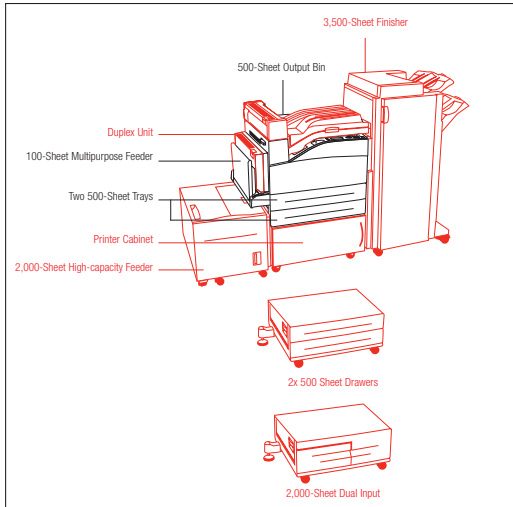
Maximum Monthly Duty Cycle

«Maximum Monthly Duty Cycle» is defined as the maximum number of pages a device could deliver in a month using a multishift operation. This metric provides a comparison of robustness in relation to other Lexmark printers and MFPs.

Trademarks

Lexmark and Lexmark with the diamond design are trademarks of Lexmark International, Inc., registered in the United States and/or other countries. All other trademarks are the property of their respective owners. PCL is a registered trademark of Hewlett-Packard Company, AppleTalk, Mac and Macintosh are trademarks of Apple Computer, Inc., registered in the United States and other countries. MarkNet and MarkVision are trademarks of Lexmark International, Inc., registered in the United States and/or other countries. The USB-IF logo are trademarks of Universal Serial Bus Implementers Forum, Inc. Microsoft, Windows, the Windows logo, Windows Vista, and the Windows Vista logo are trademarks or registered trademarks of Microsoft Corporation in the United States and/or other countries. Citrix, MetaFrame and MetaFrame XP are registered trademarks or trademarks of Citrix Systems, Inc. in the U.S. and other countries. Information in this document is subject to change without notice.

Lexmark W850n



■ Paper Handling Standard
■ Paper Handling Optional

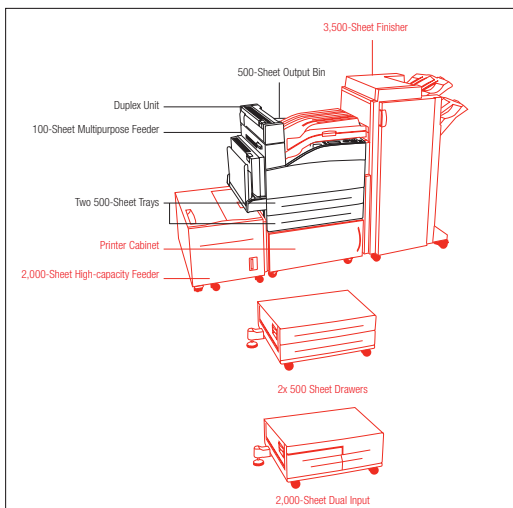
Part #	Model
19Z0320	Lexmark W850n
Part #	Laser Toner/Print Cartridge
W850H21G	W850 High Yield Toner Cartridge
W850H22G	W850 Photoconductor Kit
25A0013	Staple Cartridges (3 pack)
Part #	Paper & Transparencies
12A5010	Laser Printers - A4 Transparency
Part #	Paper Handling
25A0015	Duplex Unit
15R0120	2000-Sheet Dual Input
15R0146	2 x 500-Sheet Drawer
15R0145	X85xe, W840 High Capacity Feeder
15R0144	X85xe, W840 Finisher (2 / 3-Hole)
15R0143	X85xe W840 Finisher (2 / 4-Hole)
Part #	Furniture
15R0140	Printer Cabinet
Part #	Memory Options
1025041	256MB DDR2-DRAM
1025042	512MB DDR2-DRAM
1025043	1024MB DDR2-DRAM
14F0245	256MB Flash Card
14F0102	Hard Disk (80+GB)
Part #	Application Solutions
30G0829	Lexmark PrintCrypton Card
19Z0033	W850 Card for IPDS/SCS/TNe
19Z0032	W850 Forms and Bar Code Card
Part #	Connectivity
1021294	USB (2 Meter) Cable
14F0042	MarkNet N8130 Fiber Ethernet 100BaseFX, 10BaseFL Print Server
14F0045	MarkNet N8150 802.11b/g/n Wireless Print Server
14T0165	Lexmark N4050e 802.11g Wireless Print Server
14F0000	Parallel 1284-B Interface Card
1021231	Parallel (10') Cable
14F0100	RS-232C Serial Interface Card
Part #	Extended Warranties
2351516P	W850 2-Years Total (1+1) Onsite Service, Next Business Day

2351517P	W850 3-Years Total (1+2) Onsite Service, Next Business Day
2351518P	W850 4-Years Total (1+3) Onsite Service, Next Business Day
2351519P	W850 5-Years Total (1+4) Onsite Service, Next Business Day
2351520P	W850 1-Year Onsite Service Renewal, Next Business Day
Part #	User Replaceable Parts
40X0957	W840 Fuser Maintenance Kit 220-240V
Part #	NC
2351541	W850 Installation

In the box

Lexmark W850n laser printer, Up to 35,000*-page High Yield Toner Cartridge, Photoconductor kit, Software and documentation CD, Setup Guide or sheet (network and local attachment), Power cord(s), Statement of limited warranty / guarantee, Lexmark Cartridge Collection Program information, Safety sheet or booklet

Lexmark W850dn



■ Paper Handling Standard
■ Paper Handling Optional

Part #	Model
19Z0321	Lexmark W850dn
Part #	Laser Toner/Print Cartridge
W850H21G	W850 High Yield Toner Cartridge
W850H22G	W850 Photoconductor Kit
25A0013	Staple Cartridges (3 pack)
Part #	Paper & Transparencies
12A5010	Laser Printers - A4 Transparency
Part #	Paper Handling
15R0120	2000-Sheet Dual Input
15R0146	2 x 500-Sheet Drawer
15R0145	X85xe, W840 High Capacity Feeder
15R0144	X85xe, W840 Finisher (2 / 3-Hole)
15R0143	X85xe W840 Finisher (2 / 4-Hole)
Part #	Furniture
15R0140	Printer Cabinet
Part #	Memory Options
1025041	256MB DDR2-DRAM
1025042	512MB DDR2-DRAM
1025043	1024MB DDR2-DRAM
14F0245	256MB Flash Card
14F0102	Hard Disk (80+GB)
Part #	Application Solutions
30G0829	Lexmark PrintCrypton Card
19Z0033	W850 Card for IPDS/SCS/TNe
19Z0032	W850 Forms and Bar Code Card
Part #	Connectivity
1021294	USB (2 Meter) Cable
14F0042	MarkNet N8130 Fiber Ethernet 100BaseFX, 10BaseFL Print Server
14F0045	MarkNet N8150 802.11b/g/n Wireless Print Server
14T0165	Lexmark N4050e 802.11g Wireless Print Server
14F0000	Parallel 1284-B Interface Card
1021231	Parallel (10') Cable
14F0100	RS-232C Serial Interface Card
Part #	Extended Warranties
2351516P	W850 2-Years Total (1+1) Onsite Service, Next Business Day
2351517P	W850 3-Years Total (1+2) Onsite Service, Next Business Day

2351518P	W850 4-Years Total (1+3) Onsite Service, Next Business Day
2351519P	W850 5-Years Total (1+4) Onsite Service, Next Business Day
2351520P	W850 1-Year Onsite Service Renewal, Next Business Day
Part #	User Replaceable Parts
40X0957	W840 Fuser Maintenance Kit 220-240V
Part #	NC
2351541	W850 Installation

In the box

Lexmark W850dn laser printer, Includes duplex unit, Up to 35,000*-page High Yield Toner Cartridge, Photoconductor kit, Software and documentation CD, Setup Guide or sheet (network and local attachment), Power cord(s), Statement of limited warranty / guarantee, Lexmark Cartridge Collection Program information, Safety sheet or booklet



Environmental commitment

Lexmark believes that the environment is a critical component of responsible business management and clearly demonstrates it by implementing the "4R" strategy: Reduce, Recover, Reuse and Recycle. To learn more about these programmes please visit www.lexmark.com/recycle.

Cost saving and environmental features

- Duplex models are Energy Star compliant
- Duplex printing, Print and Hold (Verify print), multi-up and support of recycled paper help reduce paper consumption
- Eco-Mode reduces power consumption and Quiet Mode reduces noise emission
- High Yield and Extra High Yield Print Cartridges and Lexmark Cartridge Collection Program help reduce landfill

