

Lexmark CS410 Series Colour Laser Printer

Big Features. Small Footprint.
Colour That's Right On.



CS410n/dn



Colour



Up to 30
ppm



Network



Direct USB

Unison™
TONER

Brand-Savvy Colour. Brilliantly Produced.

Talk about stunning. The Lexmark CS410 Series printer produces output so consistent, you can use it to print your branded materials in-house. It offers more convenience and control too.

Print Complex Documents Fast - Print documents with graphics and images effortlessly with 256 MB of upgradable memory and a fast dual-core processor.

Professional Colour Matching - Lexmark Named Color Replacement and PANTONE® calibration make it easy to develop a consistent brand image by accurately matching your colours.

High Resolution Graphics - With true up to 1200x1200 dpi resolution, images and graphics stay crisp. Lexmark's Unison™ Toner ensures consistent quality, too.

Super Fast and Quiet Output - Power through projects with print speeds up to 30 pages per minute in black and colour, plus produce a 1-page colour document in as little as 10 seconds.

Built to Help You Do More. Effortlessly.

Now it's even easier for your team to be more productive with our bright LCD colour display, convenient front USB port, large paper input capacity and more.

Reliable Performance - Easily print up to 6,000 pages per month, plus enjoy fewer maintenance hassles, thanks to state-of-the-art paper handling.

Run Larger Jobs without Interruption - With an input capacity of up to 1,450 sheets and high yield toner cartridge options, you won't have to add paper or change cartridges as often.

Easy-to-Read Control Panel with Number Pad - View and manage your print jobs using our bright 6-cm (2.4-inch) colour display that's easy on the eyes.

Innovative Toner That Optimises Performance - Get greater system performance with Lexmark's Unison™ Toner, which delivers consistent image quality from first print to last.

Network Intelligent. Management Wise.

Quickly respond to changing business needs with our eco-friendly printers that streamline your workflow.

Print Anytime and Anywhere⁶ - With this system, you can print from desktops as well as mobile devices that can run applications.

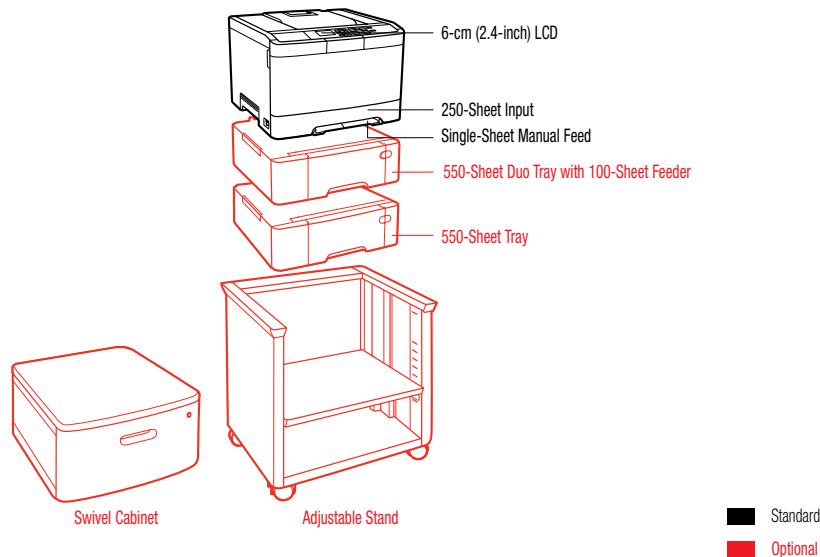
Better Manage Print Jobs - Take advantage of smart functions like job waiting, custom messaging and programmable alerts.

Enjoy Enterprise-level Security - Now you can authenticate, authorise and audit employee usage. Plus, protect sensitive data using standard network security protocols.

Save Resources and the Planet - An instant warm-up fuser and built-in two-sided printing⁸ plus Quiet, Hibernation and Eco modes minimise noise and save paper and energy.

LEXMARK
™

Lexmark CS410 Series Colour Laser Printer



Product specifications	Lexmark CS410n	Lexmark CS410dn	Lexmark CS410dtn
Printing			
Display	6 cm (2.4 inch) colour LCD display		
Print Speed: Up to ⁴	Black: 30 ppm / Colour: 30 ppm		
Time to First Page: As fast as	Black: 9 seconds / Colour: 10 seconds		
Print Resolution	Black: 1200 x 1200 dpi, 4800 Colour Quality (2400 x 600 dpi) / Colour: 1200 x 1200 dpi, 4800 Colour Quality (2400 x 600 dpi)		
Memory / Processor	Standard: 256 MB / Maximum: 2304 MB / Processor: Dual Core, 800 MHz		
Hard Disk	Not Available		
Recommended Monthly Page Volume ²	800 - 6000 pages		
Maximum Monthly Duty Cycle: Up to ³	75000 pages per month		
Supplies⁵			
Laser Cartridge Yields	1,000 ¹ -page Black and Colour (CMYK) Cartridges, 3,000 ¹ -page Colour (CMY) High Yield Cartridges, 4,000 ¹ -page Black High Yield Cartridge		
Cartridge(s) Shipping with Product	1,400 ¹ -page Black and Colour (CMYK) Starter Return Program Toner Cartridges		
Paper Handling			
Included Paper Handling	250-Sheet Input, 125-Sheet Output Bin, Single-Sheet Manual Feed	250-Sheet Input, 125-Sheet Output Bin, Integrated Duplex, Single-Sheet Manual Feed	250-Sheet Input, 550-Sheet Duo Tray with 100-Sheet Feeder, 125-Sheet Output Bin, Integrated Duplex, Single-Sheet Manual Feed
Optional Paper Handling	550-Sheet Tray, 550-Sheet Duo Tray with 100-Sheet Feeder	550-Sheet Tray, 550-Sheet Duo Tray with 100-Sheet Feeder	550-Sheet Tray
Paper Input Capacity: Up to	Standard: 250+1 pages 75 gsm bond / Maximum: 1450+1 pages 75 gsm bond	Standard: 250+1 pages 75 gsm bond / Maximum: 1450+1 pages 75 gsm bond	Standard: 900+1 pages 75 gsm bond / Maximum: 1450+1 pages 75 gsm bond
Paper Output Capacity: Up to	Standard: 125 pages 75 gsm bond / Maximum: 125 pages 75 gsm bond		
Media Types Supported	Card Stock, Paper Labels, Plain Paper, Transparencies, Refer to the Card Stock & Label Guide	Card Stock, Paper Labels, Plain Paper, Transparencies, Refer to the Card Stock & Label Guide	Card Stock, Envelopes, Paper Labels, Plain Paper, Transparencies, Refer to the Card Stock & Label Guide
Media Sizes Supported	A4, A5, Executive, Folio, JIS-B5, Legal, Letter, Universal, Oficio	A4, A5, Executive, Folio, JIS-B5, Legal, Letter, Universal, Oficio	10 Envelope, 7 3/4 Envelope, 9 Envelope, A4, A5, B5 Envelope, C5 Envelope, DL Envelope, Executive, Folio, JIS-B5, Legal, Letter, Universal, Oficio
General⁷			
Connectivity (standard)	USB 2.0 Specification Hi-Speed Certified (Type B), Front USB 2.0 Specification Hi-Speed Certified port (Type A), Ethernet 10/100BaseTX (RJ-45), also works with 1000Base-T		
Optional Network Ports / Optional Local Ports	External MarkNet™ N7020e Gigabit Ethernet, MarkNet N8352 802.11b/g/n Wireless		
Noise Level, Operating	Print: 50 dBA		
Product Guarantee	1-Year Onsite Service		
Size (mm. - H x W x D) / Weight (kg)	291 x 442 x 407 mm / 20.5 kg	291 x 442 x 407 mm / 20.5 kg	422 x 442 x 416 mm / 24.7 kg

¹ Average continuous black or continuous composite CMY declared cartridge yield up to this number of standard pages in accordance with ISO/IEC 19798. ² "Recommended Monthly Page Volume" is a range of pages that helps customers evaluate Lexmark's product offerings based on the average number of pages customers plan to print on the device each month. Lexmark recommends that the number of pages per month be within the stated range for optimum device performance, based on factors including: supplies replacement intervals, paper loading intervals, speed, and typical customer usage. ³ "Maximum Monthly Duty Cycle" is defined as the maximum number of pages a device could deliver in a month using a multishift operation. This metric provides a comparison of robustness in relation to other Lexmark printers and MFPs. ⁴ Print and copy speeds measured in accordance with ISO/IEC 24734, excludes first set of test documents. For more information see: www.lexmark.com/ISOspeeds. ⁵ Product functions only with replacement cartridges designed for use in a specific geographical region. See www.lexmark.com/regions for more details. ⁶ For more information on Lexmark Mobile Solutions see: http://www1.lexmark.com/en_US/solutions/business-solutions/mobile-print/index.shtml ⁷ Printers are sold subject to certain license/agreement conditions. See www.lexmark.com/printerlicense for details. ⁸ Duplex (two-sided printing) models are ENERGY STAR compliant, CS410dn/dtn only.

