

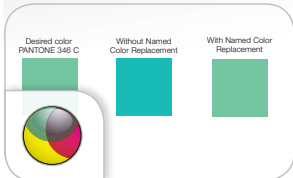
# Lexmark C748 Family Colour laser printers



## Vibrant colour printing for midsize workgroups

The Lexmark C748 Family colour laser printers deliver high-quality colour printing and reliable performance. Easy-to-use features and solutions increase efficiency. Eco-friendly features make responsible printing easy.

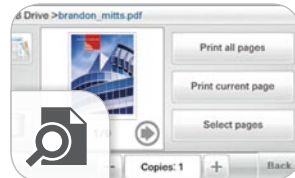
### Features to optimise your work



**Easy brand matching**  
Consistently match branded colours and print marketing collateral in-house with Lexmark Named Color Replacement.



**Intuitive colour touch screen**  
Operate your printer with ease and confidence using the 4.3-inch (10.9-cm) colour touch screen that makes navigation smart and intuitive.



**Convenient updates**  
Preview documents and change output settings such as two-sided printing directly at the device.



**Flexible input capacity**  
With the optional 550-sheet drawers, specialty media drawer and 2,000-sheet high-capacity feeder, customise input options to meet your printing needs.



**Optional hard disk**  
The optional hard disk increases productivity, reduces job waiting and includes on-printer form and file storage.



**Use less energy**  
The instant warm-up fuser reduces energy consumption and delivers a time to first page as fast as 9 seconds in both black and colour.



**Walk-up USB printing**  
The front USB port allows for convenient walk-up printing of PDFs and many printable image file formats.



**Multiple media support**  
Ultra-reliable paper feeding supports diverse media, including card stock, vinyl labels, banners and more.

# Lexmark C748 Family Overview



## Robust high-quality colour

Rely on Lexmark C748 colour laser printers for the high-quality colour printing essential to business. Speed and reliability mean minimal waiting and few interruptions. You consistently and quickly receive vibrant documents.

- Match corporate colours on marketing collateral and brand-sensitive text and graphics with Lexmark Named Color Replacement and PANTONE® calibration.
- The high-speed processor and Gigabit Ethernet networking mean fast data transfer and fast processing, even on complex colour documents.
- Print quickly at speeds up to 33 ppm and a time to first page as fast as 9 seconds in both black and colour.
- Lexmark high-yield cartridges let you print up to 12,000 pages per cartridge in black and 10,000 pages per cartridge in colour.<sup>1</sup>



## Productivity made easy

The combination of easy-to-use features and reliable performance means business processes are intuitive and you are productive. Increase efficiency with workflow-enhancing solutions and shortcuts designed to reduce unnecessary printing and simplify processes.

- The easy-to-use 4.3-inch (10.9-cm) colour touch screen provides audible feedback and tablet-like navigation to make device operation intuitive and simple.
- Expand input capacity with optional paper drawers that let you load multiple paper types and boost total input capacity up to 4,300 sheets.
- Create customised messages to provide helpful information such as helpdesk telephone numbers.
- Easily manage supplies through programmable alerts that automatically send reorder notifications.



## Sustainable by design

Environmentally friendly printing and energy-saving features make it easy to print responsibly. Use fewer raw materials with features that reduce the number of pages printed and free cartridge return and recycling programmes.

- Use less electricity with Hibernate Mode, which reduces energy consumption to less than one watt and meets multiple energy management standards.
- Choose from multiple print settings that help reduce energy, paper and toner consumption using custom Eco-Settings.
- Cartridges are eligible for the Lexmark Cartridge Collection Program (LCCP), which offers a variety of free, easy return options designed for your business size and printing volume. For more information visit [www.lexmark.com/recycle](http://www.lexmark.com/recycle).<sup>2</sup>
- Reduce paper consumption by up to 50% and reduce your impact on the environment with two-sided printing.<sup>3</sup>

# Lexmark C748 Family Ordering information

## Compatible on the complete Lexmark C748 Family

<b>Part #</b>	<b>Laser Toner/Print Cartridge</b>	34T5114	C74x, X74x Caster Base	40X5152	Pick Tire, Specialty Media Drawer
C746H1KG	C746, C748 Black High Yield Return Program Toner Cartridge	<b>Part #</b>	<b>Memory Options</b>	40X8111	C74x, X74x Fuser Maintenance 220-240V
C748H1CG	C748 Cyan High Yield Return Program Toner Cartridge	1025041	256MB DDR2-DRAM	40X8307	C74x, X74x Transfer Belt Maintenance Kit
C748H1MG	C748 Magenta High Yield Return Program Toner Cartridge	1025042	512MB DDR2-DRAM		
C748H1YG	C748 Yellow High Yield Return Program Toner Cartridge	1025043	1024MB DDR2-DRAM		
C746A1MG	C746, C748 Magenta Return Program Toner Cartridge	14F0245	256MB Flash Card		
C746A1YG	C746, C748 Yellow Return Program Toner Cartridge	27X0014	160+ GB Hard Disk		
C746H2KG	C746, C748 Black High Yield Toner Cartridge	<b>Part #</b>	<b>Application Solutions</b>		
C748H2CG	C748 Cyan High Yield Toner Cartridge	57X9000	Lexmark PrintCryption Card		
C748H2MG	C748 Magenta High Yield Toner Cartridge	41H0198	C748 Card for IPDS		
C748H2YG	C748 Yellow High Yield Toner Cartridge	41H0199	C748 Card for PRESCRIBE Emulation		
C746A2CG	C746, C748 Cyan Toner Cartridge	41H0197	C748 Forms and Bar Code Card		
C746A2MG	C746, C748 Magenta Toner Cartridge	<b>Part #</b>	<b>Connectivity</b>		
C746A2YG	C746, C748 Yellow Toner Cartridge	27X0030	MarkNet N8250 802.11b/g/n Wireless Print Server		
C734X77G	Waste Toner Box (25K)	14F0037	MarkNet N8120 Gigabit Ethernet Print Server		
C734X20G	Photoconductor Unit (20K)	1021294	USB (2 Meter) Cable		
C734X24G	Photoconductor Unit, 4-Pack (20K each)	14F0000	Parallel (10') Cable		
<b>Part #</b>	<b>Furniture</b>	1021231	Parallel (10') Cable		
3052765	Swivel Cabinet	14F0100	RS-232C Serial Interface Card		
		<b>Part #</b>	<b>User Replaceable Parts</b>		
		40X5168	Pick Tire		

### Lexmark C748e

<b>Part #</b>	<b>Model</b>
41H0020	Lexmark C748e
<b>Part #</b>	<b>Paper Handling</b>
27S2100	550-Sheet Drawer
27S2400	2000-Sheet High Capacity Feeder
27S2650	550-Sheet Specialty Media Drawer
27S2190	4.8 inch (12.2 cm) Spacer
<b>Part #</b>	<b>Extended Warranties</b>
2355024P	C748 2-Years Total (1+1) Onsite Service
2355025P	C748 3-Years Total (1+2) Onsite Service
2355026P	C748 4-Years Total (1+3) Onsite Service
2355027P	C748 5-Years Total (1+4) Onsite Service
2355028P	C748 1-Year Onsite Service Renewal
<b>Part #</b>	<b>Installation Service</b>
2355031	C748 Installation Service

#### In the box

Lexmark C748e colour laser printer, Up to 10,000\*-page colour (CMY) toner cartridges, Up to 12,000\*-page black toner cartridge, Photoconductor unit, Software and Documentation CD, Power cord(s), Setup guides (network and local attachment), Statement of limited warranty / guarantee, Lexmark Cartridge Collection Program information

\*Average continuous black or continuous composite CMY declared cartridge yield in one-sided (simplex) mode up to this number of standard pages in accordance with ISO/IEC 19798.

### Lexmark C748de

<b>Part #</b>	<b>Model</b>
41H0070	Lexmark C748de
<b>Part #</b>	<b>Paper Handling</b>
27S2100	550-Sheet Drawer
27S2400	2000-Sheet High Capacity Feeder
27S2650	550-Sheet Specialty Media Drawer
27S2190	4.8 inch (12.2 cm) Spacer
<b>Part #</b>	<b>Extended Warranties</b>
2355024P	C748 2-Years Total (1+1) Onsite Service
2355025P	C748 3-Years Total (1+2) Onsite Service
2355026P	C748 4-Years Total (1+3) Onsite Service
2355027P	C748 5-Years Total (1+4) Onsite Service
2355028P	C748 1-Year Onsite Service Renewal
<b>Part #</b>	<b>Installation Service</b>
2355031	C748 Installation Service

#### In the box

Lexmark C748de colour laser printer, Up to 10,000\*-page colour (CMY) toner cartridges, Up to 12,000\*-page black toner cartridge, Photoconductor unit, Software and Documentation CD, Power cord(s), Setup guides (network and local attachment), Statement of limited warranty / guarantee, Lexmark Cartridge Collection Program information

\*Average continuous black or continuous composite CMY declared cartridge yield in one-sided (simplex) mode up to this number of standard pages in accordance with ISO/IEC 19798.

### Lexmark C748dte

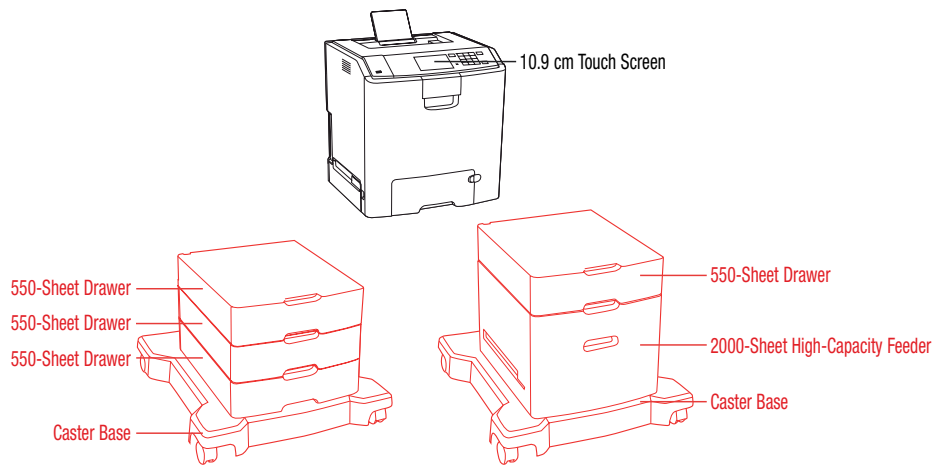
<b>Part #</b>	<b>Model</b>
41H0120	Lexmark C748dte
<b>Part #</b>	<b>Paper Handling</b>
27S2100	550-Sheet Drawer
27S2400	2000-Sheet High Capacity Feeder
27S2650	550-Sheet Specialty Media Drawer
27S2190	4.8 inch (12.2 cm) Spacer
<b>Part #</b>	<b>Extended Warranties</b>
2355024P	C748 2-Years Total (1+1) Onsite Service
2355025P	C748 3-Years Total (1+2) Onsite Service
2355026P	C748 4-Years Total (1+3) Onsite Service
2355027P	C748 5-Years Total (1+4) Onsite Service
2355028P	C748 1-Year Onsite Service Renewal
<b>Part #</b>	<b>Installation Service</b>
2355031	C748 Installation Service

#### In the box

Lexmark C748dte colour laser printer, Includes 550-Sheet Drawer, Up to 10,000\*-page colour (CMY) toner cartridges, Up to 12,000\*-page black toner cartridge, Photoconductor unit, Software and Documentation CD, Power cord(s), Setup guides (network and local attachment), Statement of limited warranty / guarantee, Lexmark Cartridge Collection Program information

\*Average continuous black or continuous composite CMY declared cartridge yield in one-sided (simplex) mode up to this number of standard pages in accordance with ISO/IEC 19798.

# Lexmark C748 Family Product specifications



Standard  
 Optional

## Product specifications

	Lexmark C748e	Lexmark C748de	Lexmark C748dte
<b>Printing</b>			
Display	Lexmark e-Task 4.3-inch (10.9 cm) colour touch screen with audible feedback		
Print Speed: Up to	Black: 33 ppm / Colour: 33 ppm		
Time to First Page: As fast as	Black: 9 seconds / Colour: 9 seconds		
Print Resolution, Colour	1200 x 1200 dpi, 4800 Colour Quality (2400 x 600 dpi)		
Processor	800 MHz		
Memory	Standard: 512 MB / Maximum: 1536 MB		
Hard Disk	Option available		
Recommended Monthly Page Volume <sup>4</sup>	2500 - 10000 pages		
Maximum Monthly Duty Cycle: Up to <sup>5</sup>	100000 pages per month		
<b>Supplies</b>			
Supplies Yield	10,000 <sup>1</sup> -page Colour High Yield Toner Cartridges (CMY), 12,000 <sup>1</sup> -page Black High Yield Toner Cartridge, 7,000 <sup>1</sup> -page Colour (CMY) Toner Cartridges		
Cartridge(s) Shipping with Product	10,000 <sup>1</sup> -page Colour (CMY) High Yield Return Program Toner Cartridges, 12,000 <sup>1</sup> -page Black High Yield Return Program Toner Cartridge		
<b>Paper Handling</b>			
Paper Handling Standard	300-Sheet Output Bin, 100-Sheet Multipurpose Feeder, 550-Sheet Input Tray	300-Sheet Output Bin, Integrated Duplex, 100-Sheet Multipurpose Feeder, 550-Sheet Input Tray	300-Sheet Output Bin, Integrated Duplex, 100-Sheet Multipurpose Feeder, 550-Sheet Drawer, 550-Sheet
Paper Handling Optional	550-Sheet Drawer, 2,000-Sheet High Capacity Feeder, 550-Sheet Specialty Media Drawer		
Paper Input Capacity: Up to	Standard: 650 pages 75 gsm bond / Maximum: 4300 pages 75 gsm bond	Standard: 650 pages 75 gsm bond / Maximum: 4300 pages 75 gsm bond	Standard: 1200 pages 75 gsm bond / Maximum: 4300 pages 75 gsm bond
Paper Output Capacity: Up to	Standard: 300 pages 75 gsm bond / Maximum: 300 pages 75 gsm bond		
Media Types Supported	Card Stock, Envelopes, Paper Labels, Plain Paper, Transparencies, Vinyl Labels, Refer to the Card Stock & Label Guide		
Media Sizes Supported	10 Envelope, 7 3/4 Envelope, 9 Envelope, A4, A5, B5 Envelope, C5 Envelope, DL Envelope, B5, Executive, Folio, JIS-B5, Legal, Letter, Statement, Universal, Oficio, A6		
<b>General</b>			
Connectivity (standard)	USB 2.0 Specification Hi-Speed Certified (Type B), Front USB 2.0 Specification Hi-Speed Certified port (Type A), Rear USB 2.0 Specification Hi-Speed Certified port (Type A), Ethernet 10/100/1000 BaseTX (RJ-45)		
Connectivity (optional)	Internal MarkNet™ N8120 Gigabit Ethernet, Internal MarkNet™ N8250 802.11b/g/n Wireless		
Other Attachment Options	RS-232C Serial Interface Card, Parallel 1284-B Interface Card		
Acoustics/Noise level (Operating mode)	55 dBA		
Product Guarantee	1-Year Onsite Service, Next Business Day		
Energy Star	No	Yes	Yes
Specified Operating Environment	Temperature: 16 to 32°C (60 to 90°F), Humidity: 8 to 80% Relative Humidity, Altitude: 0 - 3048 Meters (10,000 Feet)		
Size (mm. - H x W x D) / Weight (kg)	455 x 435 x 400 mm / 25.6 kg	455 x 435 x 400 mm / 25.6 kg	582 x 435 x 545 mm / 30.1 kg

<sup>1</sup> Average continuous black or composite CMY declared cartridge yield in accordance with ISO/IEC 19798. <sup>2</sup> Not available in all countries. <sup>3</sup> Not available on the C748e. <sup>4</sup> «Recommended Monthly Page Volume» is a range of pages that helps customers evaluate Lexmark's product offerings based on the average number of pages customers plan to print on the device each month. Lexmark recommends that the number of pages per month be within the stated range for optimum device performance, based on factors including: supplies replacement intervals, paper loading intervals, speed, and typical customer usage. <sup>5</sup> «Maximum Monthly Duty Cycle» is defined as the maximum number of pages a device could deliver in a month using a multishift operation. This metric provides a comparison of robustness in relation to other Lexmark printers and MFPs.



**LEXMARK**