

FAST, ROBUST MULTIFUNCTION COLOUR LASER



Epson AcuLaser CX28DN Series

Add productivity and versatility to your business with this multifunctional colour laser printer, scanner and copier.



- A4 colour multifunction laser for workgroups
- Print up to 24 ppm in colour and mono
- Print, scan and copy functions
- Flexible duplex printing and duplex automatic document feeder
- Standard PostScript 3 and PCL 6 emulations
- Scan-to-E-mail, FTP, SMB, USB key and more
- Gigabit Ethernet and IPv6 support

Built for demanding workgroups

The Epson AcuLaser CX28DN Series handles all the printing, scanning and copying needs of large workgroups. With a duty cycle up to 60,000 pages and impressive print and copy speeds of up to 24 ppm in colour and mono, it's ideally suited to high productivity applications. The standard duplex and 50 sheet duplex automatic document feeder makes scanning and copying multiple page documents simple.

Versatile business solution

Expand your printing capacity to match your business by adding an optional Hard Disk to expand usage or increasing paper capacity up to 850 sheets. You can also scan to a PC, a network folder or email, or simply scan directly to a USB key.

Easy to integrate into complex IT systems

The Epson AcuLaser CX28DN Series fits easily into advanced IT environments, with standard support for the latest Windows, Mac and Linux systems and standard emulations from PS3 to PCL6 and PCL5c/e.

Keeping cost and environmental impact low

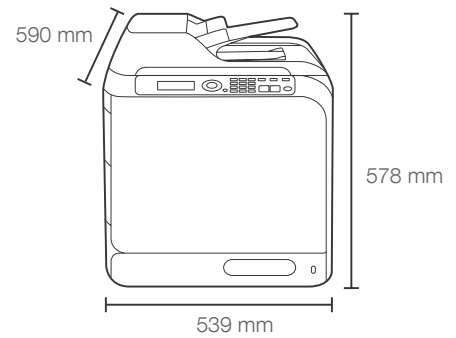
This ENERGY STAR® qualified printer uses less power in standby mode and when printing, helping to keep energy impact low. Featuring separate CMYK photoconductors you also avoid unnecessary waste of materials, whilst the high capacity toners mean running costs are not compromised.



PRODUCT SPECIFICATIONS

PRINT FEATURES Printing technology Print resolution Print speed First page out time Warm-up time Maximum monthly volume	Colour laser Up to 600x600 dpi Up to 24 ppm (colour and mono A4) Less than 18 seconds (colour and mono A4) Less than 50 seconds Up to 60,000 pages
COPY FEATURES Copy resolution Copy speed First copy out time Multiple copies ADF continuous copies Zoom	Up to 600x600 dpi Up to 24 cpm (colour and mono A4) Less than 25 sec (A4 mono) and 28 sec (A4 colour) 1 – 99 copies Up to 50 sheets 25 – 400%
SCAN FEATURES Scan technology Scan speed Scan resolution Colour depth Compatibility Scan area Scan-to functions	Flatbed scan + Duplex ADF (Automatic Document Feeder) Up to 142 mm/sec Up to 600x600 dpi 24bit Twain, WIA Up to 215.9x330.2 mm Scan to Email, FTP, SMB, USB key in TIFF, PDF, JPEG
CONTROLLER Processor Memory Printer language	500MHz Standard: 256 MB, maximum: 768 MB PCL6, PCL5c/e, PostScript 3 emulation
INTERFACES Standard interfaces Network printing protocols Network management protocols Panel	Ethernet (10/100/1000Base-TX), High-Speed USB 2.0, USB Host TCP/IP: IPP1.1, LPD TCP/IP: FTP (client/server), DHCP, SNMP, BootP, ARP, HTTPv1.1, HTTP3, SMTP, POP3, SLPv2, LDAPv3, TCPIP Socket printing, DNS, DDNS, Bonjour, AutoIP, Ping, IPv4, IPv6, IPsec Yes (20 characters x 4 lines LCD, 24 buttons)
MEDIA HANDLING Standard paper input Maximum paper input Paper size Paper weight Optional paper handling Duplex ADF Specs Paper Output	350 sheets (100-sheet MP tray + 250-sheet paper cassette) 850 sheets (100-sheet MP tray + 250-sheet paper cassette + Optional 500-sheet paper cassette) A4, A5, B5, LT, GLT, LGL, GLG, EXE, Statement, Folio, Transparency, Labels, Chokei#3, C6, Monarch, DL, Com10, ISO-B5, Postcards, Custom size: from 92–148 mm to 216–356 mm 60–210 g/m ² 500-sheet paper cassette - C12C802591 - Max: 1 Standard (built-in) 50 sheets Duplex ADF 250 sheets (face down)
POWER REQUIREMENTS Norms Voltage/frequency/current Power consumption	ENERGY STAR® 220–240V / 50–60Hz ±3% / 6.0A Max: 1250W; Continuous printing: 650W; Ready: 200W; Sleep: 25W; Power Off: 0W
OS SUPPORT Windows support Mac support Other	Windows Seven / Vista (32/64bit) / XP (32/64bit) / Server 2008 (32/64bit) / Server 2003 (32/64bit) / Windows 2000 (SP4 or later) Mac OS X 10.2.8 or later Red Hat Linux 9.0, SuSE Linux 8.2
DIMENSIONS AND WEIGHT AL-CX28DN AL-CX28DTN 500-sheet paper cassette Printer cabinet	539x590x578 mm – 50 kg (without consumables) 539x590x688 mm – 56.8 kg (without consumables) 539x590x111 mm – 6.8 kg 515x580x480 mm – 14.8 kg
ENVIRONMENTAL CONDITIONS Temperature Humidity Sound power Sound pressure	Operation mode: 10–35°C / Storage: 0–35°C Operation mode: 15–85%RH / Storage: 30–85%RH Operation: 6.49B, Ready mode: 5.13B Operation: 54.5 dB(A), Ready mode: 39 dB(A)
REGULATIONS Materials Chemical regulations Environmental measures	Not containing any materials prohibited by country regulations Hazardous materials not exceeding permitted value Compliant with OSHA, TSCA and EINECS ENERGY STAR®, RoHS compliant
WARRANTY² Standard Optional	1 year on-site warranty 3 years on-site extended warranty: ECPGRP55

Epson AcuLaser CX28DN Series



PRODUCT MODELS

Epson AcuLaser CX28DN	C11CA62001BZ
Epson AcuLaser CX28DTN	C11CA62001BY
Epson AcuLaser CX28DNC	C11CA62001BX
Epson AcuLaser CX28DTNC	C11CA62001BW

SUPPLIES

High Capacity Toner Cartridges:	
Black – 8,000 pages*	C13S050493
Cyan – 8,000 pages*	C13S050492
Yellow – 8,000 pages*	C13S050490
Magenta – 8,000 pages*	C13S050491
Initial CMYK toner – 3,000 pages	

Imaging Units:	
Black – 30,000 pages*	C13S051194
Cyan – 30,000 pages*	C13S051193
Yellow – 30,000 pages*	C13S051191
Magenta – 30,000 pages*	C13S051192

Waste Toner Bottle:	
Mono: 36,000 / Colour: 9,000	C13S050498

*Based on 5% coverage

OPTIONS

500-sheet paper cassette	C12C802591
40GB hard disk drive	C12C824491
Printer cabinet	7105715

TONER CARTRIDGE COLLECTION³

This free service helps us to collect and recycle used Epson toner cartridges in a safe and environmentally friendly way. There are three easy ways to dispose of your empty cartridges and take an active role in reducing waste:

- Put them in a Toner Cartridge Collection box which will be picked up once full
- Return them free of charge by post
- Drop them off at an Epson Express Centre

BETTER PRODUCTS FOR A BETTER FUTURE

At Epson, we know that planning for the future requires a strong commitment to the environment. That is why we strive to create innovative products that are reliable, recyclable, and energy efficient. Better products that use fewer resources help ensure a better future for us all.

¹ For more information please visit www.epson-europe.com

² Warranty offers are not available for all countries. Please contact your local Epson representative

³ Please visit www.epson.com/recycle for more details about products and availability



Better Products for a Better Future

For further information please contact your local Epson office or visit www.epson-europe.com

Austria 0810/20 01 13 (0,07 €/Min.) Belgium 070/350120 (0.1735 €/min.) Czech 800/142 052 Denmark 44 50 85 85 Finland 0201 552 091 France 09 74 75 04 04 (Cost of local call, operator charges may apply) Germany 01805/23 41 10 (0,14 €/Min. aus dem dt. Festnetz, Mobilfunkpreise abweichend. Ab 1.3.2010 Mobilfunkpreis max. 0,42 €/Min.) Greece 210-8099499 Hungary 06800 147 83 Ireland 01 436 7742 Italy 02-660321 10 (0,12 €/min.) Luxembourg 900/43010 (0,24 €/min.) Middle East +9714 8818934 Netherlands 0900-5050808 (0,05 €/oproep + 0,15 €/min.) Norway +47 67 11 37 00 Poland 0-0-800 4911299 (0,16 zł/min.) Portugal 707 222 111 Russia (095) 777-03-55 Slovakia 0850 111 429 South Africa (+2711) 465-9621 Spain 93 582 15 00 Sweden 0771-400135 (Mobilsamtal – 0,99 kr/min, Lokala samtal – 0,30 kr/min, Utlandssamtal – 0,89 kr/min) Switzerland 0848 448820 (4–8 cent./min.) Turkey (0212) 3360303 United Kingdom 0871 222 6702

Trademarks and registered trademarks are the property of Seiko Epson Corporation or their respective owners. Product information is subject to change without prior notice.

EPSON®