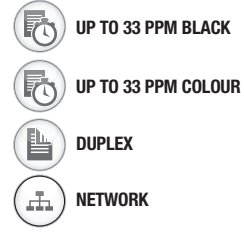


Lexmark X730 Series



Lexmark X734de Lexmark X736de Lexmark X738de Lexmark X738dte

Colour, power and productivity
with the right touch!



Print Less. Save More.

Print less? This may seem like a surprising message for a company dedicated solely to printing. But when you consider that businesses spend, on average, up to 6% of their revenue on printing and active print management can cut office print costs by up to 30%¹, it makes a lot of sense. Lexmark products, solutions and services provide innovative ways to save you time, drive down costs and reduce your impact on the environment. We are committed to helping you print less and save more.

¹ Source: InfoTrends/CapVentures, Network Document Solutions Forecast 2007-2012, Network Document Solutions Consulting Service, August 2008

If you want to make an impact with colour but need the competitive advantage of multifunction efficiency too, then get to know the Lexmark X730 Series. It not only prints, copies, scans and faxes in both black and colour, but also provides outstanding performance and value. You can count on speed and reliability, versatile paper handling, customised solutions and a rich range of features – all easily accessible via Lexmark's award-winning colour touch screen. Experience the giant benefits of a colour copier, without the giant size and price!



Unique productivity

A simple touch of the extra-large and intuitive colour touch screen is all it takes to move your workflow into high gear. You get fast, high-quality colour printing, copying, faxing and scanning – all in one multifunction workhorse.

- Boost efficiency with rapid duplex scanning (Lexmark X736de and Lexmark X738de/dte)
- Get your print and copy jobs faster with the instant-warm-up fuser and scanner lamp
- Eliminate paper-intensive processes by scanning to various destinations and formats with ease
- Save time with advanced copy functions, including copy shortcuts, ID card copy, proof-then-copy (hard disk required) and others



Any document, any time

Whatever you want to print – from presentations and reports to labels, envelopes and even banners – the Lexmark X730 is the perfect partner. With its excellent print quality, powerful productivity and robust paper-feeding design, you'll be fully equipped with the features you need to accelerate your workflow.

- Produce stunning graphics and images with Lexmark's advanced colour-laser toner formula
- Add stackable input drawers or a high-capacity feeder to run longer without interruption
- Specialty Media Drawer option adds versatility and is ideal for large stacks of envelopes
- Run pre-printed forms easily and reliably with improved feed design and edge alignment



Cutting-edge security

The Lexmark X730 Series is equipped with state-of-the-art security to protect your valuable corporate data. It also features customisable user-access controls, allowing you to enable or disable functions with ease.

- IPSec, SNMPv3 and 802.1x network security
- Secure data encryption and disk wiping
- Industry-leading access restrictions, including LDAP
- Proactively tracks and identifies security risks
- Optional integrated card reader available (see your Lexmark representative to learn more)



Eco-responsible printing

Lexmark multifunction technology makes it easy to reduce the amount of information you print, copy and distribute in hardcopy format. You'll save time, costs and office space, while powering fewer devices.

- All models include built-in duplex printing to save paper
- Instant-warm-up fuser and scanner lamp cut energy consumption
- Eco-Mode reduces power consumption
- Quiet Mode setting allows ultra-quiet operation
- Lexmark Cartridge Collection Program offers free, convenient recycling



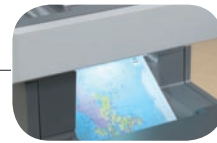
Lexmark X730 Series

Explore the features that keep you moving



Now showing on the big screen

All the critical functions you need are just a touch away



Simplified access

Load documents and retrieve them with ease, thanks to the ergonomic and illuminated flatbed scanner, output bin and document feeder



Direct USB

Front-side USB port for convenient walk-up printing of PDF brochures, reports and other image files



Advanced faxing

Send and receive colour faxes, and save time with handy fax shortcuts



Expandable input

Print on multiple paper types and boost your total input capacity up to 3,200 sheets



Low intervention

With the high-yield cartridges you can run longer and replace less often

Loads of benefits packed into one device!

What can Lexmark colour multifunction do for your business?

If you're still struggling between multiple devices across your office – printers, scanners, copiers and fax machines – then your true productivity potential is still out of reach. But with Lexmark's advanced multifunction technology, there's an easy fix!

Solidly robust and competitively fast, Lexmark's colour-laser MFPs let you unite all your critical document functions into one high-performance solution. And the benefits go far. By operating and managing fewer devices, you'll optimise office space and save money on hardware, consumables, service contracts and even electricity. Plus, you'll have all the office tools you need to make real productivity gains. Combine that with brilliant Lexmark colour that empowers your documents, and there's virtually nothing you can't achieve.

The Productivity Checklist. If you've got all these, then you've got a Lexmark!

Multitalented copying

Benefit from a rich range of advanced copy functions to boost your productivity, such as Priority Copy to interrupt long print runs temporarily; ID Card Copy to copy both sides of a card on to a single sheet; and Sample Copy (hard disk required) which lets you stop and take a good look at the first copy before releasing the rest of the job – a great way to save time and reduce paper and toner waste.

Personalised user settings

A real efficiency booster, Lexmark's innovative MyMFP feature lets users save and retrieve their personal settings on a simple flash drive, including their local address book, personal fax numbers, individual copy settings, and even their own touch-screen configuration. They simply walk up to the MFP, slide in their flash drive and the MFP literally transforms into their own personal device. A warm welcome each time they use it!

Peace-of-mind service

Like all of Lexmark's business-class printers, the Lexmark X730 Series comes standard with Lexmark's solid guarantee of 1-Year Onsite Service, which provides you with next-business-day response. But you can also extend your guarantee further with a customised offering to match your specific needs. This can cover everything from guarantee extensions (up to five years) and faster response time (as little as four hours) to installation, training and much more. (See Lexmark Statement of Limited Warranty for full details)

Colour science at work for you

For Lexmark, great colour is more than a marketing promise – it's a serious investment. Our development team is dedicated to delivering breakthrough colour technology that truly enhances the value of your print communications. Lexmark's advanced colour-laser toner formula, combined with new temperature- and humidity-sensing technology, ensures excellent colour reproduction and consistent quality from first page to last, across various media types and work environments.

Efficient traffic shaping

When you email a large file from your Lexmark X730 Series MFP, it won't cause a traffic jam on your network. That's because traffic-shaping technology can partition your network traffic and designate lower bandwidth for outbound flows. This is especially useful for busy networks and externally hosted Web servers.

Effortless manageability

Take a load off your IT department. These devices are network-ready and very easy to set up. If you have multiple Lexmark devices installed, the Lexmark Universal Driver offers even easier deployment. Once up and running, on-screen custom messaging makes life simpler too by providing users with crystal-clear information, like 'Toner low, call placed'. What's more, Lexmark MarkVision Professional software provides simplified remote management and automated tools to keep your workday flowing!



Lexmark's Embedded Solutions Framework

Experience more productivity than you could ever imagine! Lexmark's new multifunction devices come solutions-ready. That means they can be customised easily to meet your unique printing needs. Contact your Lexmark representative to find out how simple it is to tailor your MFP with one or more of Lexmark's leading industry solutions. With the touch of an icon you can transform your hardcopy documents into digital workflow, helping you print less, save time, lower costs and reduce the environmental impact of printing.

Get exactly the performance you need



Lexmark X734de

Colour multifunction with business-class quality and functionality

- Offers print, copy, scan and fax
- Up to 28 ppm print speeds in black and colour
- Fast 600 MHz processor
- Prints large banners
- Ships with 4K-page* Black and Colour Lexmark Return Program Toner Cartridges
- Lexmark Toner Cartridges available (8K* Black, 6K* Colour)
- Recommended monthly volume: 2,500 to 9,200 pages



Lexmark X736de

More performance, lower cost per page, includes duplex scanning

- Up to 33 ppm print speeds in black and colour
- Powerful 900 MHz processor
- Duplex scanning capability
- Prints extra-large banners
- Ships with 6K-page* Lexmark Return Program Toner Cartridges
- Lexmark High Yield Toner Cartridges available (12K* Black, 10K* Colour)
- Recommended monthly volume: 3,000 to 10,000 pages



Lexmark X738de

The ideal platform for advanced workflow solutions

- 80GB hard disk standard for expanded functionality
- Pre-configured extra-input model available (Lexmark X738dte)

	Lexmark X734de	Lexmark X736de	Lexmark X738de
Printing			
Print Technology	Color Laser		
Print Speed (A4 mono): Up to	28 ppm	33 ppm	33 ppm
Print Speed (A4 colour): Up to	28 ppm	33 ppm	33 ppm
Time to First Page (Black)	As fast as <10 seconds		
Time to First Page (Colour)	as fast as <10 seconds		
Print Resolution, Black	1200 x 1200 dpi, 4800 Color Quality (2400 x 600 dpi)		
Print Resolution, Colour	1200 x 1200 dpi, 4800 Colour Quality (2400 x 600 dpi)		
Memory, standard	512 MB		
Memory network model, maximum	1536 MB		
Hard Disk	Option available	Option available	as standard
Noise Level, Operating	53 dBA		
Noise Level, Idle	35 dBA		
Maximum Monthly Duty Cycle: Up to	85000 pages per month		
Recommended Monthly Page Volume	2500 - 9200 Pages	3000 - 10000 Pages	3000 - 10000 Pages
Supplies			
Supplies Yield	Average continuous black or continuous composite CMY declared cartridge yield up to this number of standard pages in accordance with ISO/IEC 19798., 6,000*-page Colour Toner Cartridges (CMY), 8,000*-page Black Toner Cartridge	Average continuous black or continuous composite CMY declared cartridge yield up to this number of standard pages in accordance with ISO/IEC 19798., 6,000*-page Colour Toner Cartridges (CMY), 8,000*-page Black Toner Cartridge, 10,000*-page Colour High Yield Toner Cartridges (CMY), 12,000*-page Black High Yield Toner Cartridge	Average continuous black or continuous composite CMY declared cartridge yield up to this number of standard pages in accordance with ISO/IEC 19798., 6,000*-page Colour Toner Cartridges (CMY), 8,000*-page Black Toner Cartridge, 10,000*-page Colour High Yield Toner Cartridges (CMY), 12,000*-page Black High Yield Toner Cartridge
Cartridge(s) Shipping with Product	4,000*-page Black Starter Return Program Toner Cartridge, 4,000*-page Colour (CMY) Starter Return Program Toner Cartridges	6,000*-page Colour (CMY) Starter Return Program Toner Cartridges, 6,000*-page Black Starter Return Program Toner Cartridge	6,000*-page Colour (CMY) Starter Return Program Toner Cartridges, 6,000*-page Black Starter Return Program Toner Cartridge
Copying			
Copy Speed (A4, Black): Up to	28 cpm	33 cpm	33 cpm
ADF Scan	Simplex	RADF (reversing Duplex)	RADF (reversing Duplex)
Scanning Resolution	600 x 600 dpi		
Reduce / Enlarge Range	25 - 400 %		
Faxing			
Modem Speed	33.6 Kbps		
Paper Handling			
Paper Handling Standard	250-Sheet Output Bin, Integrated Duplex, 100-Sheet Multipurpose Feeder, 550-Sheet Input Tray		
Paper Handling Optional	550-Sheet Drawer, 2,000-Sheet High-capacity Feeder, 550-Sheet Specialty Media Drawer		
Paper Input Capacity, Standard: Up to	650 pages at 80 gsm bond		
Paper Input Capacity, Maximum: Up to	3200 pages at 80 gsm bond		
Paper Output Capacity, Standard: Up to	250 pages at 80 gsm bond		
Paper Output Capacity, Maximum: Up to	250 pages at 80 gsm bond		
ADF Paper Input Capacity : Up to	50 pages at 80 gsm bond		
Media Types Supported	Card Stock, Envelopes, Glossy paper, Paper Labels, Plain Paper, Transparencies, Vinyl Labels, Refer to the Card Stock & Label Guide		
Media Sizes Supported	10 Envelope, 7 3/4 Envelope, 9 Envelope, A4, A5, B5 Envelope, C5 Envelope, DL Envelope, B5, Executive, Folio, JIS-B5, Legal, Letter, Statement, Universal, Oficio		
Compatibility			
Network Protocol Support	TCP/IP IPv4, IPX/SPX, AppleTalk™, LexLink (DLC), TCP/IP IPv6, TCP, UDP		
Printer Languages (Standard)	PCL 5c Emulation, PCL 6 Emulation, PPDS, PostScript 3 Emulation, xHTML, PDF 1.6, Direct Image, Microsoft XPS (XML Paper Specification)		
Standard Ports	Fast Ethernet, USB 2.0 Specification Hi-Speed Certified (Type B), PictBridge Certified Port, Front USB 2.0 Specification Hi-Speed Certified port (Type A), Rear USB 2.0 Specification Hi-Speed Certified port (Type A)		
Microsoft Windows Operating Systems Supported	2000, XP, Server 2003, XP x64, Server 2003 running Terminal Services, 2000 Server running Terminal Services, Server 2003 x64, Server 2003 x64 running Terminal Services, Vista, Vista x64, Server 2008, Server 2008 x64, Server 2008 running Terminal Services, Server 2008 x64 running Terminal Services		
Apple Macintosh Operating Systems Supported	Mac OS X, Mac OS 9.x		
General			
Function	Colour Copying, Colour Printing, Colour Scanning, Colour Network Scanning		
Product Guarantee	1-Year Onsite Service, Next Business Day		
Product Certifications	www.lexmark.co.uk		
Size (mm - H x W x D)	787 x 546 x 622 mm		
Weight (kg)	44.0 kg	44.0 kg	44.2 kg
Specified Operating Environment	Temperature: 16 to 32°C (60 to 90°F), Humidity: 8 to 80% Relative Humidity, Altitude: 0 - 3048 Meters (10,000 Feet)		

Maximum Monthly Duty Cycle

Maximum Monthly Duty Cycle is defined as the maximum number of pages a device could deliver in a month. This metric provides a comparison of robustness in relation to other Lexmark printers and MFPs.

Recommended Monthly Page Volume

Recommended Monthly Page Volume is a range of pages that helps customers evaluate Lexmark's product offerings based on the average number of pages customers plan to print on the device each month. Lexmark recommends that the number of pages per month be within the stated range for optimum device performance, based on factors including: supplies replacement intervals, paper loading intervals, speed, and typical customer usage.

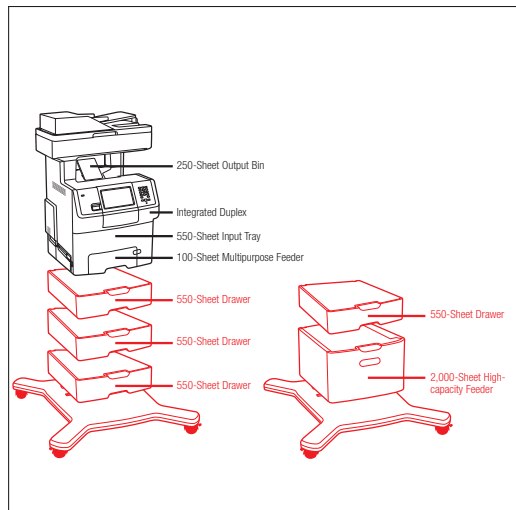
License Terms/Agreement

Printers are sold subject to certain license/agreement conditions. See www.lexmark.com/printerlicense for licensing details

Trademarks

Lexmark and Lexmark with the diamond design are trademarks of Lexmark International, Inc., registered in the United States and/or other countries. All other trademarks are the property of their respective owners. PCL is a registered trademark of Hewlett-Packard Company. AppleTalk, Mac and Macintosh are trademarks of Apple Computer, Inc., registered in the United States and other countries. MarkNet and MarkVision are trademarks of Lexmark International, Inc., registered in the United States and/or other countries. The USB-IF logos are trademarks of Universal Serial Bus Implementers Forum, Inc. ENERGY STAR® is a U.S. registered mark. Microsoft, Windows, the Windows logo, Windows Vista, and the Windows Vista logo are trademarks or registered trademarks of Microsoft Corporation in the United States and/or other countries. Citrix, MetaFrame and MetaFrame XP are registered trademarks or trademarks of Citrix Systems, Inc. in the U.S. and other countries. Information in this document is subject to change without notice.

Lexmark X734de



■ Paper Handling Standard
■ Paper Handling Optional

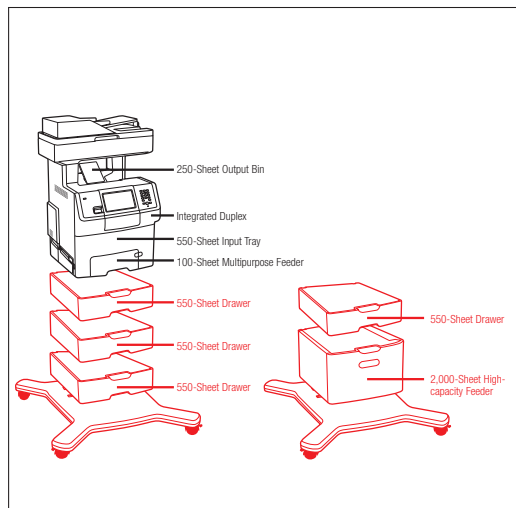
Part #	Model
00MS00391	Lexmark X734de
Part #	Laser Toner/Print Cartridge
0C734A1KG	C734, C736, X734, X736, X738 Black Return Program Toner Cartridge
0C734A1CG	C734, C736, X734, X736, X738 Cyan Return Program Toner Cartridge
0C734A1MG	C734, C736, X734, X736, X738 Magenta Return Program Toner Cartridge
0C734A1YG	C734, C736, X734, X736, X738 Yellow Return Program Toner Cartridge
0C734A2KG	C734, C736, X734, X736, X738 Black Toner Cartridge
0C734A2CG	C734, C736, X734, X736, X738 Cyan Toner Cartridge
0C734A2MG	C734, C736, X734, X736, X738 Magenta Toner Cartridge
0C734A2YG	C734, C736, X734, X736, X738 Yellow Toner Cartridge
0C734X77G	Waste Toner Box
0C734X20G	C734, C736, X734, X736, X738 Photoconductor Unit
0C734X24G	C734, C736, X734, X736, X738 Photoconductor Unit, 4-Pack
Part #	Paper & Transparencies
0012A5950	Glossy Laser Paper, Letter (200)
Part #	Paper Handling
0027S2100	C734, C736, X734e, X736e, X738e 550-Sheet Drawer
0027S2400	2000-Sheet High Capacity Feeder
0027S2650	C734, C736, X734e, X736e, X738e 550-Sheet Specialty Media Drawer
0027S2190	4.8 inch (12.2 cm) Spacer
Part #	Furniture
0016M1210	C734, C736, X734, X736, X738 Caster Base
Part #	Application Solutions
00MS00497	X734, X736, X738 Forms and Bar Code Card
00MS00498	X734, X736, X738 Card for IPDS/SCS/TNe
Part #	Connectivity
0014T0165	Lexmark N4050e 802.11g Wireless Print Server
Part #	Extended Warranties
002350817	3-Years Total Onsite Service, Next Business Day
002350818	4-Years Total Onsite Service, Next Business Day
002350819	5-Years Total Onsite Service, Next Business Day
002350820	1-Year Onsite Service Renewal, Next Business Day

Part #	User Replaceable Parts
0040X5094	C73x, X73x Fuser Maintenance 220-240V
0040X5096	C73x, X73x Transfer Belt Maintenance
0040X5187	ADF Separator Pad
0040X5188	ADF Pick Assembly
0040X5189	ADF Pick Pad
0040X5152	Pick Tire, Special Media Drawer
Part #	NC
002350832	X734 Install, De-Install Service

In the box

Lexmark X736de color laser Multifunction printer, Up to 6,000*-page color (CMY) Starter Toner Cartridges, Up to 6,000*-page Black Starter Toner Cartridge, Photoconductor unit, Software and Documentation CD, Power Cord(s), RJ-11 Phone cable or adapter (country dependent), Setup Guides (network and local attachment), Statement of limited warranty / guarantee, Operator panel language overlays, Lexmark Cartridge Collection Program information

Lexmark X736de



■ Paper Handling Standard
■ Paper Handling Optional

Part #	Model
00MS00392	Lexmark X736de
Part #	Laser Toner/Print Cartridge
0C736H1KG	C736, X736, X738 Black High Yield Return Program Toner Cartridge
0C734A1KG	C734, C736, X734, X736, X738 Black Return Program Toner Cartridge
0C736H1CG	C736, X736, X738 Cyan High Yield Return Program Toner Cartridge
0C734A1CG	C734, C736, X734, X736, X738 Cyan Return Program Toner Cartridge
0C736H1MG	C736, X736, X738 Magenta High Yield Return Program Toner Cartridge
0C734A1MG	C734, C736, X734, X736, X738 Magenta Return Program Toner Cartridge
0C736H1YG	C736, X736, X738 Yellow High Yield Return Program Toner Cartridge
0C734A1YG	C734, C736, X734, X736, X738 Yellow Return Program Toner Cartridge
0C736H2KG	C736, X736, X738 Black High Yield Toner Cartridge
0C734A2KG	C734, C736, X734, X736, X738 Black Toner Cartridge
0C736H2CG	C736, X736, X738 Cyan High Yield Toner Cartridge
0C734A2CG	C734, C736, X734, X736, X738 Cyan Toner Cartridge
0C736H2MG	C736, X736, X738 Magenta High Yield Toner Cartridge
0C734A2MG	C734, C736, X734, X736, X738 Magenta Toner Cartridge
0C736H2YG	C736, X736, X738 Yellow High Yield Toner Cartridge
0C734A2YG	C734, C736, X734, X736, X738 Yellow Toner Cartridge
0C734X77G	Waste Toner Box
0C734X20G	C734, C736, X734, X736, X738 Photoconductor Unit
0C734X24G	C734, C736, X734, X736, X738 Photoconductor Unit, 4-Pack
Part #	Paper & Transparencies
0012A5950	Glossy Laser Paper, Letter (200)
Part #	Paper Handling
0027S2100	C734, C736, X734e, X736e, X738e 550-Sheet Drawer
0027S2400	2000-Sheet High Capacity Feeder
0027S2650	C734, C736, X734e, X736e, X738e 550-Sheet Specialty Media Drawer
0027S2190	4.8 inch (12.2 cm) Spacer
Part #	Furniture
0016M1210	C734, C736, X734, X736, X738 Caster Base
Part #	Application Solutions
00MS00497	X734, X736, X738 Forms and Bar Code Card

00MS00498	X734, X736, X738 Card for IPDS/SCS/TNe
Part #	Connectivity
0014T0165	Lexmark N4050e 802.11g Wireless Print Server
Part #	Extended Warranties
002350834	2-Years Total Onsite Service, Next Business Day
002350835	3-Years Total Onsite Service, Next Business Day
002350836	4-Years Total Onsite Service, Next Business Day
002350837	5-Years Total Onsite Service, Next Business Day
002350838	1-Year Onsite Service Renewal, Next Business Day
Part #	User Replaceable Parts
0040X5094	C73x, X73x Fuser Maintenance 220-240V
0040X5096	C73x, X73x Transfer Belt Maintenance
0040X5187	ADF Separator Pad
0040X5188	ADF Pick Assembly
0040X5189	ADF Pick Pad
0040X5152	Pick Tire, Special Media Drawer
Part #	NC
002350850	X736 Install, De-Install Service

Other models available

00MS00393 - Lexmark X738de: duplex printing and scanning with built-in hard disk
 00MS00394 - Lexmark X738dte: duplex printing and scanning with built-in hard disk and extra input drawer

In the box

Lexmark X736de color laser Multifunction printer, Up to 6,000*-page color (CMY) Starter Toner Cartridges, Up to 6,000*-page Black Starter Toner Cartridge, Photoconductor unit, Software and Documentation CD, Power Cord(s), RJ-11 Phone cable or adapter (country dependent), Setup Guides (network and local attachment), Statement of limited warranty / guarantee, Operator panel language overlays, Lexmark Cartridge Collection Program information

Lexmark's guarantee to you

At Lexmark, we're always working hard to ensure you achieve maximum productivity and minimum downtime. For greater level of peace of mind, you can opt for one of our Lexmark service offerings detailed on www.lexmark.com/services



Environmental commitment

Lexmark believes that the environment is a critical component of responsible business management and clearly demonstrates it by implementing the "4R" strategy: Reduce, Recover, Reuse and Recycle. To learn more about these programs please visit www.lexmark.com/recycle

Cost saving and environmental features

- Energy Star compliant
- Duplex printing, print and hold, multi-up and support of recycled paper help reduce paper consumption
- Eco-Mode reduces power consumption and Quiet-Mode reduces noise emission
- Lexmark Cartridge Collection Program helps reduce landfill

