

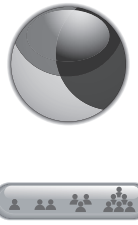
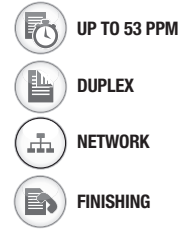
Lexmark X658 Series

Lexmark X658dme

Lexmark X658dtme

Lexmark X658dfe

Lexmark X658dtfe



Benefits that no
copier can copy!



LEXMARK

Print Less. Save More.

Print less? This may seem like a surprising message for a company dedicated solely to printing. But when you consider that businesses spend, on average, up to 6% of their turnover on printing, and that active print management can cut office print costs by up to 30%(1), it makes a lot of sense. Lexmark products, solutions and services provide innovative ways to save you time, drive down costs and reduce your impact on the environment. We are committed to helping you print less and save more.

(1) Source: InfoTrends/CapVentures., «Network Document Solutions Forecast 2007-2012, Network Document Solutions Consulting Service», August, 2008

Introducing the intelligent alternative to copiers! The fully equipped Lexmark X658 Series multifunctional laser Series brings you the benefits of a departmental copier, yet in a compact, affordable A4 device. Get everything you need to power through your busy workday, including rapid output speeds, smart workflow capabilities, cutting-edge security and flexible paper handling.



Amazing document power!

Whether you need to make a large number of copies, scan and send a big presentation, or zip through a high-volume print run, you're equipped with the robust features and functionality you need to get the job done.

- Exceptional speeds; delivers up to 53 prints, copies or scans per minute
- Advanced paper handling, including stapling or a mailbox
- Optimised workflow capabilities with flexible scan destinations and formats
- Powerful fax with time-saving functions, such as fax forwarding
- Large-capacity 80GB hard disk for expanded functionality

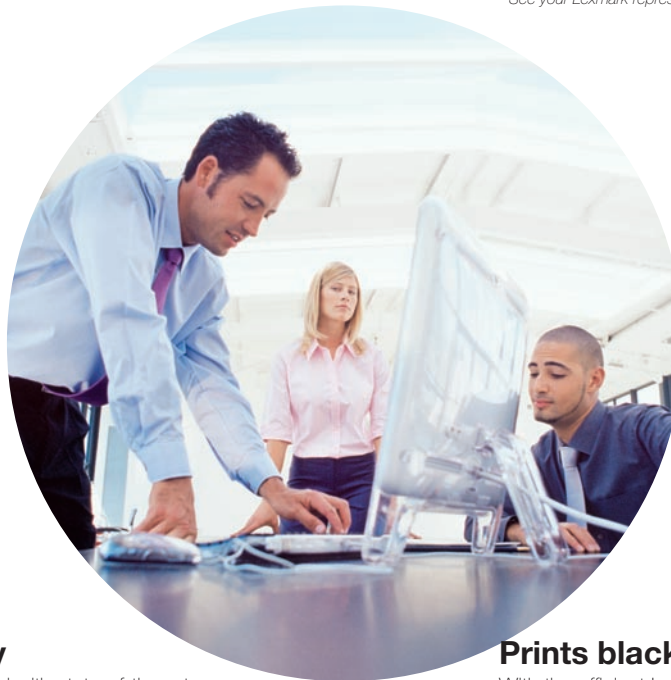


Flexibility from start to finish

When it comes to office performance, there's very little these MFPs can't do. You'll benefit from a wide range of versatile features to maximise your office productivity.

- Intuitive, customisable touch screen for effortless operation
- Lexmark's Embedded Solutions Framework enables your MFP to be tailored for workflow efficiency
- MyMFP lets users personalise the touch screen with the functions and shortcuts they use most
- Optional integrated card reader for easy authentication

* See your Lexmark representative to learn more



Cutting-edge security

The Lexmark X658 series is equipped with state-of-the-art security to protect your valuable corporate data. It also features customisable user-access controls, allowing you to enable or disable functions with ease.

- IPSec, SNMPv3 and 802.1x network security
- Secure data encryption and disk wiping
- Industry-leading access restrictions, including LDAP
- Proactively tracks and identifies security risks



Prints black, thinks green

With the efficient Lexmark X658 series, it's easy to save paper, lower the energy your MFP consumes, and use fewer cartridges overall. In addition, you'll free up valuable office space for other uses and actually print less by reducing the amount of information you print, copy and distribute in hardcopy format.

- Eco-Mode reduces power consumption
- Built-in duplex printing saves paper
- Lexmark Extra High Yield Print Cartridges (36,000 pages) reduce waste and lower your cost per page
- Lexmark Cartridge Collection Programme offers fast, free and easy recycling



Lexmark X658 Series

Explore the features that keep you moving



Single-pass duplex scanning

Scan large two-sided jobs fast with the 75-page duplexing automatic document feeder

Intuitive user-access control

Optional integrated card reader* for security and ease of use

* See your Lexmark representative to learn more

Direct USB

Front USB port for walk-up printing and scanning to memory device

Long-lasting toner

36,000-page* cartridge yield saves money, time and the environment

Illuminated output bin

See your incoming documents from across the room

Attention to detail

Rear channel holds power cord and network cable neatly in place

Less is definitely more!

Everything you'd expect from a great copier is here, from the robust design to the rapid output speeds. But Lexmark X658 series takes over where copiers leave off.

By choosing an efficient A4 MFP over a large A3 device, you'll be able to save valuable office space, lower your total printing costs, boost productivity and deploy time-saving document technology closer to users.

What's more, Lexmark X658 series is incredibly simple to set up. You can literally roll them into place, and in just minutes you'll have advanced copying and scanning functionality to dramatically enhance the way you work.

The Productivity Checklist

If you've got all these, then you've got a Lexmark!



Enormously intuitive touch screen

The incredibly large, fully featured colour touch screen gives you fast, easy access to document capture and workflow functions. Tailor it to your business requirements with the icons and shortcuts you need most. You can even change the background image to whatever suits you best, like your logo.

Fantastic finishing

Choose the StapleSmart II™ Finisher model to staple multiple sets of documents of up to 50 pages each. Or organise your output with the 4-bin mailbox configuration, which lets you assign each bin to a different user or a dedicated function – like one for incoming faxes, one for copies and one for regular output.

Multitalented copying

Benefit from a rich range of advanced copy functions to boost your productivity, such as Priority Copy to interrupt long print runs temporarily; ID Card Copy to copy both sides of a card on to a single sheet; Sample Copy to proof the first copy set before printing the remaining copies; and Remote Copy, which you can use to scan colour documents on your monochrome Lexmark X658 series and retrieve them from a Lexmark colour laser printer or MFP.

Efficient traffic shaping

When you email a large file from any MFP of your Lexmark X658 series, it won't cause a traffic jam on your network. That's because traffic-shaping technology can partition your network traffic and designate lower bandwidth for outbound flows. This is especially useful for busy networks and externally hosted Web servers.

On-screen scan previews

Before you scan and email an important image file, see how it looks and fits on the page. Should it be in colour or black and white? Is the page orientation correct? Are you sure you scanned the correct side of the page? You may also want to check the file size of the scanned document before you save or forward it on. The Lexmark X658 series lets you preview your scan and note the file size, saving you time and eliminating errors.

Personalised user settings

A real efficiency booster, Lexmark's new MyMFP feature lets multiple users save and re-access their personal settings on a simple flash drive, including their local address book, personal fax numbers, individual copy settings, and even their own touch-screen configuration. They simply walk up to the MFP, slide in their flash drive and the MFP literally transforms into their own personal device. A warm welcome each time they use it!

Hassle-free installation and management

Every model of the Lexmark X658 series arrives pre-assembled and ready to go – you can have it up and running in just a few minutes. If you're installing multiple Lexmark devices, the Lexmark Universal Driver offers easy deployment. Once you're up and running, Lexmark's free remote management software, Lexmark MarkVision™ Professional, keeps the workday flowing.

Lexmark's Embedded Solutions Framework

Experience more productivity than you could ever imagine! Lexmark's new MFPs come solutions-ready. That means they can be customised easily to meet your unique printing needs. Contact your Lexmark dealer to find out how simple it is to tailor your MFP with one or more of Lexmark's leading industry solutions. With the touch of an icon you can transform your hardcopy documents into digital workflow, helping you print less, save time, lower costs, and reduce the environmental impact of printing.

Lexmark X658 Series



What's the perfect finish for your busy workgroup?



Lexmark X658dme

- Two 550-sheet standard input trays
- 100-sheet multipurpose feeder
- Four mailbox bins and a standard bin provide up to 950 sheets of output capacity



Lexmark X658dtme

- Three 550-sheet standard input trays
- 100-sheet multipurpose feeder
- Four mailbox bins and a standard bin provide up to 950 sheets of output capacity



Lexmark X658dfe

- Two 550-sheet standard input trays
- 100-sheet multipurpose feeder
- StapleSmart II™ Finisher staples sets of up to 50 pages and increases output capacity to 1,050 sheets



Lexmark X658dtfe

- Three 550-sheet standard input trays
- 100-sheet multipurpose feeder
- StapleSmart II™ Finisher staples sets of up to 50 pages and increases output capacity to 1,050 sheets

Want all the power but don't need the finishing?

Check out the Lexmark X656dte MFP today!

	Lexmark X658dme	Lexmark X658dfe
Printing		
Print Technology	Laser, Monochrome	
Print Speed (A4 mono): Up to	53 ppm	
Time to First Page (Black)	As fast as 9.5 seconds	
Print Resolution, Black	1200 Image Quality, 1200 x 1200 dpi, 2400 Image Quality, 600 x 600 dpi	
Memory, standard	256 MB	
Memory network model, maximum	1280 MB	
Noise Level, Operating	55 dBA	
Noise Level, Idle	28 dBA	
Maximum Monthly Duty Cycle: Up to	275000 pages per month	
Recommended Monthly Page Volume	5000 - 30000 Pages	
Supplies		
Supplies Yield (*Average standard page yield value declared in accordance with ISO/IEC 19752)	25,000*-page High Yield Print Cartridge, 7,000*-page Print Cartridge, 36,000*-page Extra High Yield Print Cartridge	
Cartridge(s) Shipping with Product	18,000*-page Starter Return Program Print Cartridge	
Copying		
Copy Speed (A4, Black): Up to	53 cpm	
Copy Speed (Letter mono): Up to	55 cpm	
Scanning		
Scanning Resolution	600 X 600 dpi (mono)	
Reduce / Enlarge Range	25 - 400 %	
Faxing		
Modem Speed	33.6 Kbps	
Paper Handling		
Paper Handling Standard	Integrated Duplex, 100-Sheet Multipurpose Feeder, 550-Sheet Drawer, 550-Sheet Input Tray, 550-Sheet Output Bin, 4-Bin Mailbox	Integrated Duplex, 100-Sheet Multipurpose Feeder, 550-Sheet Drawer, 550-Sheet Input Tray, 550-Sheet Output Bin, StapleSmart II Finisher
Paper Handling Optional	550-Sheet Drawer, Envelope Feeder	
Paper Input Capacity, Standard: Up to	1200 pages at 80 gsm bond	
Paper Input Capacity, Maximum: Up to	2300 pages at 80 gsm bond	
Paper Output Capacity, Standard: Up to	950 pages at 80 gsm bond	1050 pages at 80 gsm bond
Paper Output Capacity, Maximum: Up to	950 pages at 80 gsm bond	1050 pages at 80 gsm bond
ADF Paper Input Capacity : Up to	75 pages at 80 gsm bond	
Media Types Supported	Card Stock, Dual Web Labels, Envelopes, Integrated Labels, Paper Labels, Plain Paper, Polyester Labels, Transparencies, Vinyl Labels, Refer to the Card Stock & Label Guide	
Media Sizes Supported	10 Envelope, 7 3/4 Envelope, 9 Envelope, A4, A5, DL Envelope, Executive, Folio, JIS-B5, Legal, Letter, Statement, Universal	
Compatibility		
Network Protocol Support	TCP/IP IPv4, IPX/SPX, AppleTalk™, LexLink (DLC), TCP/IP IPv6, TCP, UDP	
Printer Languages (Standard)	PCL 5e Emulation, PCL 6 Emulation, PPDS, PostScript 3 Emulation, xHTML, PDF 1.6, Direct Image, Microsoft XPS (XML Paper Specification)	
Standard Ports	Fast Ethernet, One Internal Card Slot, USB 2.0 Specification Hi-Speed Certified (Type B), USB port (Type A) compatible with USB 2.0 Specification, Front USB port Compatible with USB 2.0 Specification (Type A)	
Microsoft Windows Operating Systems Supported	2000, XP, Server 2003, XP x64, Server 2003 running Terminal Services, 2000 Server running Terminal Services, Server 2003 x64, Server 2003 x64 running Terminal Services, Vista, Vista x64, Server 2008, Server 2008 x64, Server 2008 running Terminal Services, Server 2008 x64 running Terminal Services	
Apple Macintosh Operating Systems Supported	Mac OS X, Mac OS 9.x	
Other Operating Systems Supported	www.lexmark.co.uk	
General		
Function	Colour Scanning, Copying, Faxing, Network Scanning, Printing	
Product Guarantee	1-Year Onsite Service, Next Business Day	
Product Certifications	www.lexmark.co.uk	
Size (mm - H x W x D)	1114 x 548 x 596 mm	
Weight (kg)	72.8 kg	75.1 kg
Specified Operating Environment	Temperature: 16 to 32°C (60 to 90°F), Humidity: 8 to 80% Relative Humidity, Altitude: 0 - 3048 Meters (10,000 Feet)	

Maximum Monthly Duty Cycle

«Maximum Monthly Duty Cycle» is defined as the maximum number of pages a device could deliver in a month. This metric provides a comparison of robustness in relation to other Lexmark printers and MFPs.

Recommended Monthly Page Volume

«Recommended Monthly Page Volume» is a range of pages that helps customers evaluate Lexmark's product offerings based on the average number of pages customers plan to print on the device each month. Lexmark recommends that the number of pages per month be within the stated range for optimum device performance, based on factors including: supplies replacement intervals, paper loading intervals, speed, and typical customer usage.

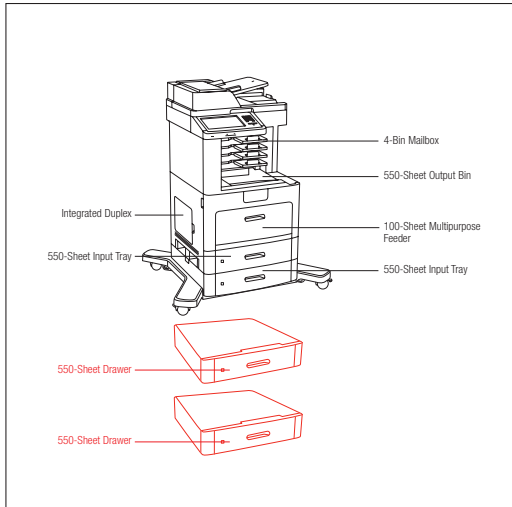
Trademarks

Lexmark and Lexmark with the diamond design are trademarks of Lexmark International, Inc., registered in the United States and/or other countries. All other trademarks are the property of their respective owners. PCL is a registered trademark of Hewlett-Packard Company. AppleTalk, Mac and Macintosh are trademarks of Apple Computer, Inc., registered in the United States and other countries. MarkNet and MarkVision are trademarks of Lexmark International, Inc., registered in the United States and/or other countries. The USB-IF logos are trademarks of Universal Serial Bus Implementers Forum, Inc. ENERGY STAR® is a U.S. registered mark. Microsoft, Windows, the Windows logo, Windows Vista, and the Windows Vista logo are trademarks or registered trademarks of Microsoft Corporation in the United States and/or other countries. Citrix, MetaFrame and MetaFrame XP are registered trademarks or trademarks of Citrix Systems, Inc. in the U.S. and other countries. Information in this document is subject to change without notice.

License/Agreement Terms

Printers are sold subject to certain license/agreement conditions. See www.lexmark.co.uk/printerlicense for details.

Lexmark X658dme



■ Paper Handling Standard
■ Paper Handling Optional

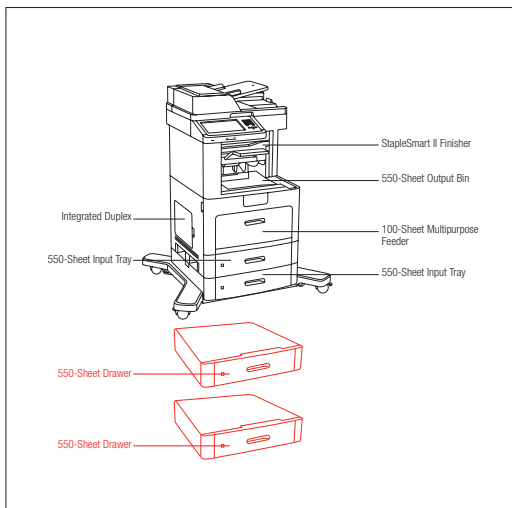
Part #	Model
0016M1654	Lexmark X658dme MFP
Part #	Laser Toner/Print Cartridge
0X654X11E	X654, X656, X658 Extra High Yield Return Program
0X651H11E	X651, X652, X654, X656, X658 High Yield Return
0X651A11E	X651, X652, X654, X656, X658 Return Program Print
0X654X04E	X654, X656, X658 Extra High Yield Return Program
0X651H04E	X651, X652, X654, X656, X658 High Yield Return
0X654X21E	X654, X656, X658 Extra High Yield Print Cartridge
0X651H21E	X651, X652, X654, X656, X658 High Yield Print
0X651A21E	X651, X652, X654, X656, X658 Print Cartridge
Part #	Paper & Transparencies
0012A5010	Lexmark Laser Printers - A4 Transparency
Part #	Paper Handling
0016M1100	X658 550-Sheet Drawer
0030G0807	Envelope Feeder
Part #	Memory Options
001025041	256MB DDR2-DRAM
001025042	512MB DDR2-DRAM
001025043	1024MB DDR2-DRAM
0014F0245	256MB Flash Card
Part #	Application Solutions
0030G0829	Lexmark PrintCrypton Card
0016M1254	X65x Card for IPDS and SCS/TNE
0016M1253	X65x Forms and Bar Code Card
Part #	Connectivity
001021294	USB (2 Meter) Cable
001021231	Parallel (10') Cable
0014F0037	MarkNet N8120 Gigabit Ethernet Print Server
0014F0042	MarkNet N8130 Fiber Ethernet 100BaseFX, 10BaseFL
0014F0045	MarkNet N8150 802.11b/g/n Wireless Print Server
0014T0165	Lexmark N4050e 802.11g Wireless Print Server
0014T0220	MarkNet™ N7020e Gigabit Ethernet Print Server
0014F0000	Parallel 1284-B Interface Card
0014F0100	RS-232C Serial Interface Card
Part #	Extended Warranties
002350575	2-Years Total Onsite Service, Next Business Day
002350576	3-Years Total Onsite Service, Next Business Day

002350577	4-Years Total Onsite Service, Next Business Day
002350579	1-Year Onsite Service Renewal, Next Business Day
Part #	User Replaceable Parts
0040X4765	T65x, X654e, X656e, X658e Fuser Maintenance Kit
Part #	NC
002350591	X658e Install, De-Install Service

Other models available
 Lexmark X658dme

In the box
 Lexmark X658dme multifunction laser printer, Includes MFP Base., Up to 18,000 pages* Starter Return Program Print Cartridge, Software and documentation CD, Setup guide or sheet (network and local attachment), Power cord(s), RJ-11 Phone cable or adapter (country dependent), Statement of limited warranty / guarantee, Safety sheet or booklet, Lexmark Cartridge Collection Program Information, Safety stability sheet, Blue Angel sheet

Lexmark X658dfe



■ Paper Handling Standard
■ Paper Handling Optional

Part #	Model
0016M1653	Lexmark X658dfe MFP
Part #	Laser Toner/Print Cartridge
0X654X11E	X654, X656, X658 Extra High Yield Return Program
0X651H11E	X651, X652, X654, X656, X658 High Yield Return
0X651A11E	X651, X652, X654, X656, X658 Return Program Print
0X654X04E	X654, X656, X658 Extra High Yield Return Program
0X651H04E	X651, X652, X654, X656, X658 High Yield Return
0X654X21E	X654, X656, X658 Extra High Yield Print Cartridge
0X651H21E	X651, X652, X654, X656, X658 High Yield Print
0X651A21E	X651, X652, X654, X656, X658 Print Cartridge
0025A0013	Staple Cartridges (3 pack)
Part #	Paper & Transparencies
0012A5010	Lexmark Laser Printers - A4 Transparency
Part #	Paper Handling
0016M1100	X658 550-Sheet Drawer
0030G0807	Envelope Feeder
Part #	Memory Options
001025041	256MB DDR2-DRAM
001025042	512MB DDR2-DRAM
001025043	1024MB DDR2-DRAM
0014F0245	256MB Flash Card
Part #	Application Solutions
0030G0829	Lexmark PrintCrypton Card
0016M1254	X65x Card for IPDS and SCS/TNE
0016M1253	X65x Forms and Bar Code Card
Part #	Connectivity
001021294	USB (2 Meter) Cable
001021231	Parallel (10') Cable
0014F0037	MarkNet N8120 Gigabit Ethernet Print Server
0014F0042	MarkNet N8130 Fiber Ethernet 100BaseFX, 10BaseFL
0014F0045	MarkNet N8150 802.11b/g/n Wireless Print Server
0014T0165	Lexmark N4050e 802.11g Wireless Print Server
0014T0220	MarkNet™ N7020e Gigabit Ethernet Print Server
0014F0000	Parallel 1284-B Interface Card
0014F0100	RS-232C Serial Interface Card
Part #	Extended Warranties
002350575	2-Years Total Onsite Service, Next Business Day

002350576	3-Years Total Onsite Service, Next Business Day
002350577	4-Years Total Onsite Service, Next Business Day
002350579	1-Year Onsite Service Renewal, Next Business Day
Part #	User Replaceable Parts
0040X4765	T65x, X654e, X656e, X658e Fuser Maintenance Kit
Part #	NC
002350591	X658e Install, De-Install Service

Other models available
 Lexmark X658dfe

In the box
 Lexmark X658dfe multifunction laser printer, Includes MFP Base., Up to 18,000 pages* Starter Return Program Print Cartridge, Software and documentation CD, Setup guide or sheet (network and local attachment), Power cord(s), RJ-11 Phone cable or adapter (country dependent), Statement of limited warranty / guarantee, Safety sheet or booklet, Lexmark Cartridge Collection Program Information, Safety stability sheet, Blue Angel sheet

Lexmark's guarantee to you
 Lexmark's 1-Year Onsite guarantee provides added peace of mind. Enhanced service offerings may be available by contacting your Lexmark representative or visiting www.lexmark.com. Optimize your printer's performance and investment value by using genuine Lexmark supplies, service and parts.



Environmental commitment

Lexmark believes that the environment is a critical component of responsible business management and clearly demonstrates it by implementing the "4R" strategy: Reduce, Recover, Reuse and Recycle. To learn more about these programmes please visit www.lexmark.co.uk/recycle

Cost saving and environmental features

- Energy Star compliant
- Duplex printing, Print and Hold, multi-up and support of recycled paper help reduce paper consumption
- Eco-Mode reduces power consumption and Quiet Mode reduces noise emission
- Extra High Yield Print Cartridges and Lexmark Cartridge Collection Program help reduce landfill



