

Lexmark X540 Series

Lexmark X543dn

Lexmark X544 models

Lexmark X546dtn



PRINT



COPY



SCAN



FAX



UP TO 23 PPM COLOUR



UP TO 23 PPM MONO



DUPLEX



NETWORK



Power up your workday with
Lexmark multifunction colour!



Print Less. Save More.

Print less? This may seem like a surprising message for a company dedicated solely to printing. But when you consider that businesses spend, on average, up to 6% of their turnover on printing, and that active print management can cut office print costs by up to 30%¹, it makes a lot of sense. Lexmark products, solutions and services provide innovative ways to save you time, drive down costs and reduce your impact on the environment. We are committed to helping you print less and save more.

¹ Source: InfoTrends/CapVentures, "Network Document Solutions Forecast 2007-2012, Network Document Solutions Consulting Service", August, 2008

Device consolidation is a great way to work smarter. With print, copy, scan and fax functions all rolled into one high-performance colour device, you save considerably on office space, hardware and running costs, consumables, maintenance and even electricity. But now Lexmark offers even more benefits in a smaller box – and at an attractive price. A multitasking solution for your small, cost-conscious workgroup!



Easy to use, easy to share

Surprisingly compact for such a fully functioned solution, these devices are also incredibly quiet, easy to use and integrate effortlessly into your existing office environment.

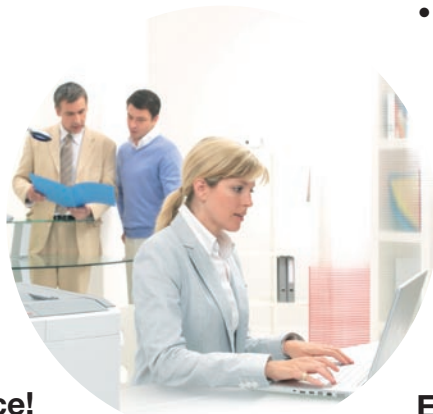
- As quiet as 47 dBA while printing; reduce sound even more with Quiet Mode
- PCL 6 and PostScript 3 emulations ensure compatibility with your application software
- Fully network-ready for enhanced workgroup performance
- Quick and convenient cartridge replacement



The power of multifunction

Built for serious office work, these new colour MFPs equip you with all the productivity functions you need to maximise your business performance.

- Move easily between hardcopy and digital documents with advanced scanning, such as scan to desktop, scan to email or scan to an application.
- Lexmark X544 models and X546dtn add Super G3 fax capability
- 100-sheet multipurpose feeder and 550-sheet main tray are combined in one unique Duo Drawer option



Colour that makes a difference!

Outstanding colour adds impact to your important business documents. Lexmark puts its colour expertise to work for you and gives you the tools to control colour output effectively.

- Rich, vibrant, true 1200 x 1200 dpi colour printing
- Lexmark High Yield Toner Cartridges to keep printing costs low
- Includes new generation Lexmark toner
- Consistent colour balance with Pantone calibration
- Colour-control tools: coverage estimator and ColorSaver™ mode



Eco-responsible printing

Printing responsibly means everyone wins – your business, your budget and the environment! Lexmark's colour MFPs are eco-designed and come with a range of features to help you print greener at every level.

- Models with built-in duplex offer excellent value and paper savings
- Eco-Mode reduces power consumption
- Instant warm-up fuser saves energy while delivering first page quickly
- Lexmark Cartridge Collection Programme for leading-edge recycling



Powerful scanning features!



Duplex colour scanning

Saves time by scanning both sides of your document automatically



Scan to email

Eliminates the need for paper copies; quickly locates addresses stored in your company directory



Direct USB

Front USB port for walk-up printing and scanning to memory device



Lexmark Scan Center software

Scan options and scan-to destinations located on one easy-to-use window



Multi-format support

Save your documents in common image formats (PDF, JPG, TIF) for viewing, sharing and use on the Web

Lexmark X540 Series

**A small office partner
packed with features!**

Lexmark Supplies Your printer's best friend

How do you make sure your Lexmark printer always gives you outstanding results? By using original Lexmark supplies. Lexmark printers and supplies are designed to perform together as one system, protecting your investment and delivering excellent print quality from first page to last.

Lexmark supplies help protect the environment, too. Using Lexmark High Yield Toner Cartridges conserves resources by reducing the number of cartridges you use over the life of your printer.

Lexmark practises 'zero landfill' for cartridges, reusing or recycling 100% of all returns through the free-of-charge Lexmark Cartridge Collection Programme. Learn more: www.lexmark.com/recycle

Get exactly the performance you need



Lexmark X543dn

Great value, 3-in-1 compact colour laser with paper-saving duplex

- Up to 20 ppm output in black and colour
- High-quality printing, copying and scanning
- Built-in paper-saving duplex printing
- Optional Duo Drawer expands input capacity and includes a multipurpose feeder
- Ships with Lexmark High Yield Toner Cartridges (2.5K Black, 2K Colour)
- Recommended monthly volume: 500 to 1,500 pages



Lexmark X544 models

Reliable 4-in-1 colour MFP, loaded with high-performance features

- Up to 23 ppm output in black and colour
- Includes fax and high-quality duplex scanning
- Front USB port for walk-up printing, and scanning to memory device
- Lexmark Extra High Yield Toner Cartridges available (6K Black, 4K Colour)
- Recommended monthly volume: 800 to 3,000 pages



Lexmark X546dtn

Versatile 4-in-1 colour MFP with extra savings

- Up to 23 ppm output in black and colour
- Ships with high-capacity toner and a Duo Drawer
- 1450-sheet maximum input capacity
- Lexmark Extra High Yield Toner Cartridges available (8*K Black, 4*K Colour)
- Recommended monthly volume: 1,000 to 4,000 pages

Configurations available: Lexmark X544n, Lexmark X544dn, Lexmark X544dw*
*Wireless model not available in all countries.

| | Lexmark X543dn | Lexmark X544dn | Lexmark X546dtn |
|------------------------------------------------------|---------------------------------------------------------------------------------------------------------------------------------------------------------------------------------------------------------------------------------------------------------------------------------------------------------------------------------------|-------------------------------------------------------------------------------------------------------------------------------------------------------------------------------------------------------------------------------------------------------------------------------------------------------------------------------------------------------------------------------------------------------------------------------------------------------|-------------------------------------------------------------------------------------------------------------------------------------------------------------------------------------------------------------------------------------------------------------------------------------------------------------------------------------------------------------------------------------------------------------------------------------------------------|
| Printing | | | |
| Print Technology | Colour Laser | | |
| Print Speed (A4, mono): Up to | 20 ppm | 23 ppm | 23 ppm |
| Print Speed (A4, colour): Up to | 20 ppm | 23 ppm | 23 ppm |
| Time to First Page (Black) | As fast as 13 seconds | | |
| Time to First Page (Colour) | as fast as 14 seconds | as fast as 13 seconds | as fast as 13 seconds |
| Print Resolution, Black | 1200 x 1200 dpi, 4800 Color Quality (1200 x 600 dpi) | | |
| Print Resolution, Colour | 1200 x 1200 dpi, 4800 Colour Quality (1200 x 600 dpi) | | |
| Memory, standard | 128 MB | 128 MB | 256 MB |
| Memory, maximum | 640 MB | 640 MB | 640MB (Replacement required) |
| Print Noise Level, Operating | 47 dBA | 48 dBA | 48 dBA |
| Noise Level, Idle | inaudible dBA | | |
| Maximum Monthly Duty Cycle: Up to | 35000 pages per month | 55000 pages per month | 55000 pages per month |
| Recommended Monthly Page Volume | 500 - 1500 Pages | 800 - 3000 Pages | 1000 - 4000 Pages |
| Supplies | | | |
| Supplies Yield | Average continuous black or continuous composite CMY declared cartridge yield up to this number of standard pages in accordance with ISO/IEC 19798., 1,000*-page Colour Toner Cartridges (CMY), 2,000*-page Colour High Yield Toner Cartridges (CMY), 2,500*-page Black High Yield Toner Cartridge, 1,000*-page Black Toner Cartridge | Average continuous black or continuous composite CMY declared cartridge yield up to this number of standard pages in accordance with ISO/IEC 19798., 1,000*-page Colour Toner Cartridges (CMY), 2,000*-page Colour High Yield Toner Cartridges (CMY), 4,000*-page Colour Extra High Yield Toner Cartridges (CMY), 2,500*-page Black High Yield Toner Cartridge, 6,000*-page Black Extra High Yield Toner Cartridge, 1,000*-page Black Toner Cartridge | Average continuous black or continuous composite CMY declared cartridge yield up to this number of standard pages in accordance with ISO/IEC 19798., 1,000*-page Colour Toner Cartridges (CMY), 2,000*-page Colour High Yield Toner Cartridges (CMY), 4,000*-page Colour Extra High Yield Toner Cartridges (CMY), 2,500*-page Black High Yield Toner Cartridge, 1,000*-page Black Toner Cartridge, 8,000*-page Black Extra High Yield Toner Cartridge |
| Cartridge(s) Shipping with Product | 2,500*-page Black Return Program Toner Cartridge, 2,000*-page Colour (CMY) Return Program Toner Cartridges | 2,500*-page Black Return Program Toner Cartridge, 2,000*-page Colour (CMY) Return Program Toner Cartridges | 4,000*-page Black Starter Return Program Toner Cartridge, 4,000*-page Colour (CMY) Extra High Yield Return Program Toner Cartridges |
| Copying | | | |
| Copy Speed (A4, Black): Up to | 20 cpm | 23 cpm | 23 cpm |
| Copy Speed (A4, Colour): Up to | 20 cpm | 23 cpm | 23 cpm |
| ADF Scan | Simplex | RADF (reversing Duplex) | RADF (reversing Duplex) |
| Scanning Resolution | 300 X 300 dpi (colour), 600 X 600 dpi (mono) | | |
| Reduce / Enlarge Range | 25 - 400% | | |
| Faxing | | | |
| Modem Speed | | 33.6 Kbps | 33.6 Kbps |
| Paper Handling | | | |
| Paper Handling Standard | 150-Sheet Output Bin, Integrated Duplex, Single Sheet Manual Feed, 250-Sheet Input Tray | 150-Sheet Output Bin, Single Sheet Manual Feed, 250-Sheet Input Tray | 150-Sheet Output Bin, Integrated Duplex, Single Sheet Manual Feed, 250-Sheet Input Tray, 550-Sheet Duo Drawer with 100-Sheet Feeder |
| Paper Handling Optional | 550-Sheet Duo Drawer with 100-Sheet Feeder | 550-Sheet Duo Drawer with 100-Sheet Feeder | 550-Sheet Drawer |
| Paper Input Capacity, Standard: Up to | 250+1 pages 75 gsm bond | 250+1 pages 75 gsm bond | 900+1 pages 75 gsm bond |
| Paper Input Capacity, Maximum: Up to | 900 +1 pages 75 gsm bond | 900 +1 pages 75 gsm bond | 1450 +1 pages 75 gsm bond |
| Paper Output Capacity, Standard: Up to | | 150 pages 75 gsm bond | |
| Paper Output Capacity, Maximum: Up to | | 150 pages 75 gsm bond | |
| ADF Paper Input Capacity: Up to | | 50 pages 75 gsm bond | |
| Media Types Supported | Card Stock, Paper Labels, Plain Paper, Transparencies, Refer to the Card Stock & Label Guide | Card Stock, Paper Labels, Plain Paper, Transparencies, Refer to the Card Stock & Label Guide | Card Stock, Envelopes, Paper Labels, Plain Paper, Transparencies, Refer to the Card Stock & Label Guide |
| Media Sizes Supported | A4, A5, Executive, Folio, JIS-B5, Legal, Letter, Universal, Oficio, A6 | A4, A5, Executive, Folio, JIS-B5, Legal, Letter, Universal, Oficio, A6 | 10 Envelope, 7 3/4 Envelope, 9 Envelope, A4, A5, B5 Envelope, C5 Envelope, DL Envelope, Executive, Folio, JIS-B5, Legal, Letter, Statement, Universal, Oficio, A6 |
| Compatibility | | | |
| Network Protocol Support | TCP/IP IPv4, AppleTalk™, TCP/IP IPv6, TCP, UDP | | |
| Printer Languages (Standard) | PCL 5c Emulation, PCL 6 Emulation, PPDS, PostScript 3 Emulation, PDF 1.6 | PCL 5c Emulation, PCL 6 Emulation, PPDS, PostScript 3 Emulation, PDF 1.6, Direct Image | PCL 5c Emulation, PCL 6 Emulation, PPDS, PostScript 3 Emulation, PDF 1.6, Direct Image |
| Standard Ports | Fast Ethernet, USB 2.0 Specification Hi-Speed Certified (Type B) | Fast Ethernet, USB 2.0 Specification Hi-Speed Certified (Type B), PictBridge Certified Port, Front USB port Compatible with USB 2.0 Specification (Type A) | Fast Ethernet, USB 2.0 Specification Hi-Speed Certified (Type B), PictBridge Certified Port, Front USB port Compatible with USB 2.0 Specification (Type A) |
| Microsoft Windows Operating Systems Supported | www.lexmark.co.uk | | |
| Apple Macintosh Operating Systems Supported | www.lexmark.co.uk | | |
| General | | | |
| Function | Colour Copying, Colour Printing, Network Scanning | Colour Copying, Colour Faxing, Colour Printing, Colour Scanning, Network Scanning | Colour Copying, Colour Faxing, Colour Printing, Colour Scanning, Network Scanning |
| Product Guarantee | 1 Year Onsite, Next Business Day | 1 Year Onsite, Next Business Day | 1-Year Onsite Service, Next Business Day |
| Product Certifications | www.lexmark.co.uk | | |
| Size (mm - H x W x D) | 463 x 440 x 537 mm | 463 x 440 x 537 mm | 597 x 440 x 537 mm |

Recommended Monthly Page Volume

«Recommended Monthly Page Volume» is a range of pages that helps customers evaluate Lexmark's product offerings based on the average number of pages customers plan to print on the device each month. Lexmark recommends that the number of pages per month be within the stated range for optimum device performance, based on factors including: supplies replacement intervals, paper loading intervals, speed, and typical customer usage.

Maximum Monthly Duty Cycle

«Maximum Monthly Duty Cycle» is defined as the maximum number of pages a device could deliver in a month using a multishift operation. This metric provides a comparison of robustness in relation to other Lexmark printers and MFPs.

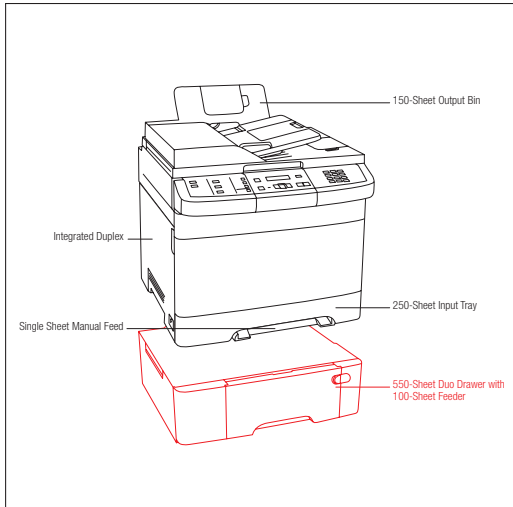
Trademarks

Lexmark and Lexmark with the diamond design are trademarks of Lexmark International, Inc., registered in the United States and/or other countries. All other trademarks are the property of their respective owners. PCL is a registered trademark of Hewlett-Packard Company. AppleTalk, Mac and Macintosh are trademarks of Apple Computer, Inc., registered in the United States and other countries. MarkNet and MarkVision are trademarks of Lexmark International, Inc., registered in the United States and/or other countries. The USB-IF logos are trademarks of Universal Serial Bus Implementers Forum, Inc. ENERGY STAR® is a U.S. registered mark. Microsoft, Windows, the Windows logo, Windows Vista, and the Windows Vista logo are trademarks or registered trademarks of Microsoft Corporation in the United States and/or other countries. Citrix, MetaFrame and MetaFrame XP are registered trademarks or trademarks of Citrix Systems, Inc. in the U.S. and other countries. Information in this document is subject to change without notice.

License/Agreement Terms

Printers are sold subject to certain license/agreement conditions. See www.lexmark.com/printerlicense for details.

Lexmark X543dn



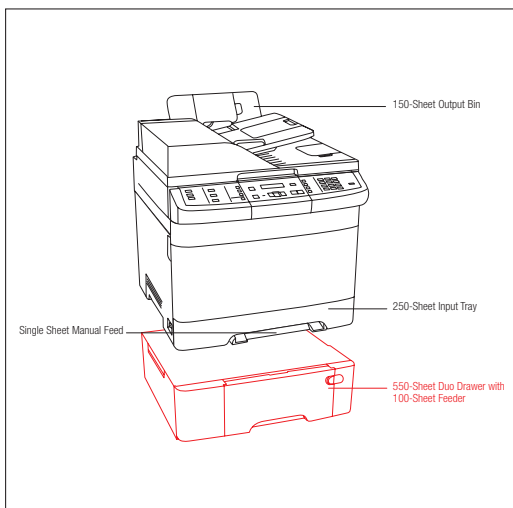
Paper Handling Standard
 Paper Handling Optional

| Part # | Model |
|----------|---------------------------------------------------------------------|
| 26B0113 | Lexmark X543dn |
| Part # | Laser Toner/Print Cartridge |
| C540H1KG | C54x, X54x Black High Yield Return Programme Toner Cartridge (2.5K) |
| C540H1CG | C54x, X54x Cyan High Yield Return Programme Toner Cartridge (2K) |
| C540H1MG | C54x, X54x Magenta High Yield Return Programme Toner Cartridge (2K) |
| C540H1YG | C54x, X54x Yellow High Yield Return Programme Toner Cartridge (2K) |
| C540A1KG | C54x, X54x Black Return Programme Toner Cartridge (1K) |
| C540A1CG | C54x, X54x Cyan Return Programme Toner Cartridge (1K) |
| C540A1MG | C54x, X54x Magenta Return Programme Toner Cartridge (1K) |
| C540A1YG | C54x, X54x Yellow Return Programme Toner Cartridge (1K) |
| C540H2KG | C54x, X54x Black High Yield Toner Cartridge (2.5K) |
| C540H2CG | C54x, X54x Cyan High Yield Toner Cartridge (2K) |
| C540H2MG | C54x, X54x Magenta High Yield Toner Cartridge (2K) |
| C540H2YG | C54x, X54x Yellow High Yield Toner Cartridge (2K) |
| C540X75G | C54x, X54x Waste Toner Bottle (18K) |
| C540X71G | C54x, X54x Black Imaging Kit (30K) |
| C540X74G | C54x, X54x Black and Colour Imaging Kit (30K) |
| Part # | Paper Handling |
| 3063958 | 550-Sheet Duo Drawer with 100-Sheet MPF |
| Part # | Memory Options |
| 1022298 | 128MB DDR1-DRAM |
| 1022299 | 256MB DDR1-DRAM |
| 1022301 | 512MB DDR1-DRAM |
| 1021209 | 64MB Flash Card |
| Part # | Connectivity |
| 1021294 | USB (2 Meter) Cable |
| 14T0220 | MarkNet N7020e Gigabit Ethernet Print Server |
| Part # | Service Offerings |
| 2350503P | X543 2-Years Total (1+1) Onsite Service Guarantee |
| 2350504P | X543 3-Years Total (1+2) Onsite Service Guarantee |
| 2350507P | X543 1-Year Renewal Onsite Service Guarantee |
| Part # | User Replaceable Parts |
| 40X7545 | ADF Separator Roll |
| 40X5472 | ADF Separator Pad |

| 40X5539 | X543 Scanner Cover Cushion |
|---------|----------------------------|
| 40X5470 | ADF Paper Tray |
| 40X5484 | Output Bin Extension |
| Part # | Service Parts |
| 40X5168 | Pick Tire |

In the box
 Lexmark X543dn multifunction color laser, 2,000*-page color (CMY) Starter Toner Cartridges, 2,500*-page Black Starter Toner Cartridge, 4 Developer units (K, C, M, Y), Photoconductor unit, Software and Documentation CD, Power Cord(s), Setup Guides (network and local attachment), Cartridge Return Program Information, Statement of limited warranty / guarantee, Operator panel language overlays

Lexmark X544n



Paper Handling Standard
 Paper Handling Optional

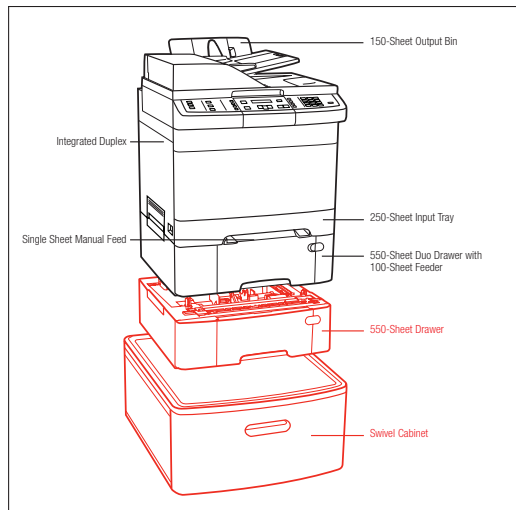
| Part # | Model |
|----------|---------------------------------------------------------------------------|
| 26D0014 | Lexmark X544n |
| Part # | Laser Toner/Print Cartridge |
| C544X1KG | C544, X544 Black Extra High Yield Return Programme Toner Cartridge (6K) |
| C544X1CG | C544, X544 Cyan Extra High Yield Return Programme Toner Cartridge (4K) |
| C544X1MG | C544, X544 Magenta Extra High Yield Return Programme Toner Cartridge (4K) |
| C544X1YG | C544, X544 Yellow Extra High Yield Return Programme Toner Cartridge (4K) |
| C540H1KG | C54x, X54x Black High Yield Return Programme Toner Cartridge (2.5K) |
| C540H1CG | C54x, X54x Cyan High Yield Return Programme Toner Cartridge (2K) |
| C540H1MG | C54x, X54x Magenta High Yield Return Programme Toner Cartridge (2K) |
| C540H1YG | C54x, X54x Yellow High Yield Return Programme Toner Cartridge (2K) |
| C540A1KG | C54x, X54x Black Return Programme Toner Cartridge (1K) |
| C540A1CG | C54x, X54x Cyan Return Programme Toner Cartridge (1K) |
| C540A1MG | C54x, X54x Magenta Return Programme Toner Cartridge (1K) |
| C540A1YG | C54x, X54x Yellow Return Programme Toner Cartridge (1K) |
| C544X2KG | C544, X544 Black Extra High Yield Toner Cartridge (6K) |
| C544X2CG | C544, X544 Cyan Extra High Yield Toner Cartridge (4K) |
| C544X2MG | C544, X544 Magenta Extra High Yield Toner Cartridge (4K) |
| C544X2YG | C544, X544 Yellow Extra High Yield Toner Cartridge (4K) |
| C540H2KG | C54x, X54x Black High Yield Toner Cartridge (2.5K) |
| C540H2CG | C54x, X54x Cyan High Yield Toner Cartridge (2K) |
| C540H2MG | C54x, X54x Magenta High Yield Toner Cartridge (2K) |
| C540H2YG | C54x, X54x Yellow High Yield Toner Cartridge (2K) |
| C540X75G | C54x, X54x Waste Toner Bottle (18K) |
| C540X71G | C54x, X54x Black Imaging Kit (30K) |
| C540X74G | C54x, X54x Black and Colour Imaging Kit (30K) |
| Part # | Paper Handling |
| 3063958 | 550-Sheet Duo Drawer with 100-Sheet MPF |
| Part # | Memory Options |
| 1022298 | 128MB DDR1-DRAM |
| 1022299 | 256MB DDR1-DRAM |
| 1022301 | 512MB DDR1-DRAM |
| 1021209 | 64MB Flash Card |
| Part # | Connectivity |
| 1021294 | USB (2 Meter) Cable |

| 14T0220 | MarkNet N7020e Gigabit Ethernet Print Server |
|----------|---------------------------------------------------|
| Part # | Service Offerings |
| 2350521P | X544 2-Years Total (1+1) Onsite Service Guarantee |
| 2350522P | X544 3-Years Total (1+2) Onsite Service Guarantee |
| 2350525P | X544 1-Year Renewal Onsite Service Guarantee |
| Part # | User Replaceable Parts |
| 40X7545 | ADF Separator Roll |
| 40X5472 | ADF Separator Pad |
| 40X5535 | Scanner Cover Cushion |
| 40X5470 | ADF Paper Tray |
| 40X5484 | Output Bin Extension |
| 40X5168 | Pick Tire |

Available models:
 - Lexmark X544dn: Lexmark X544n + integrated duplex
 - Lexmark X544dw: Lexmark X544dn + built-in wireless

In the box
 Lexmark X544n multifunction color laser, 2,000*-page color (CMY) Starter Toner Cartridges, 2,500*-page Black Starter Toner Cartridge, 4 Developer units (K, C, M, Y), Photoconductor unit, Software and Documentation CD, Power Cord(s), RJ-11 Phone cable or adapter (country dependent), Setup Guides (network and local attachment), Cartridge Return Program Information, Operator panel language overlays, Statement of limited warranty / guarantee

Lexmark X546dtn



■ Paper Handling Standard
■ Paper Handling Optional

| Part # | Model |
|----------|---------------------------------------------------------------------------|
| 26C0249 | Lexmark X546dtn |
| Part # | Laser Toner/Print Cartridge |
| C546U1KG | C546, X546 Black Extra High Yield Return Program Toner Cartridge |
| C544X1CG | C544, X544 Cyan Extra High Yield Return Programme Toner Cartridge (4K) |
| C544X1MG | C544, X544 Magenta Extra High Yield Return Programme Toner Cartridge (4K) |
| C544X1YG | C544, X544 Yellow Extra High Yield Return Programme Toner Cartridge (4K) |
| C540H1KG | C54x, X54x Black High Yield Return Programme Toner Cartridge (2.5K) |
| C540H1CG | C54x, X54x Cyan High Yield Return Programme Toner Cartridge (2K) |
| C540H1MG | C54x, X54x Magenta High Yield Return Programme Toner Cartridge (2K) |
| C540H1YG | C54x, X54x Yellow High Yield Return Programme Toner Cartridge (2K) |
| C540A1KG | C54x, X54x Black Return Programme Toner Cartridge (1K) |
| C540A1CG | C54x, X54x Cyan Return Programme Toner Cartridge (1K) |
| C540A1MG | C54x, X54x Magenta Return Programme Toner Cartridge (1K) |
| C540A1YG | C54x, X54x Yellow Return Programme Toner Cartridge (1K) |
| C546U2KG | C546, X546 Black Extra High Yield Toner Cartridge |
| C544X2CG | C544, X544 Cyan Extra High Yield Toner Cartridge (4K) |
| C544X2MG | C544, X544 Magenta Extra High Yield Toner Cartridge (4K) |
| C544X2YG | C544, X544 Yellow Extra High Yield Toner Cartridge (4K) |
| C540H2KG | C54x, X54x Black High Yield Toner Cartridge (2.5K) |
| C540H2CG | C54x, X54x Cyan High Yield Toner Cartridge (2K) |
| C540H2MG | C54x, X54x Magenta High Yield Toner Cartridge (2K) |
| C540H2YG | C54x, X54x Yellow High Yield Toner Cartridge (2K) |
| C540X75G | C54x, X54x Waste Toner Bottle (18K) |
| C540X71G | C54x, X54x Black Imaging Kit (30K) |
| C540X74G | C54x, X54x Black and Colour Imaging Kit (30K) |
| Part # | Paper Handling |
| 3051710 | C546, X546 550-Sheet Drawer |
| 3064022 | C546, X546, X548 550-Sheet Drawer |
| Part # | Furniture |
| 3052765 | Swivel Cabinet |
| Part # | Memory Options |
| 1022299 | 256MB DDR1-DRAM |

| 1022301 | 512MB DDR1-DRAM |
|----------|---------------------------------------------------|
| 1021209 | 64MB Flash Card |
| Part # | Connectivity |
| 1021294 | USB (2 Meter) Cable |
| 14T0220 | MarkNet N7020e Gigabit Ethernet Print Server |
| Part # | Service Offerings |
| 2352754P | X546 2-Years Total (1+1) Onsite Service Guarantee |
| 2352755P | X546 3-Years Total (1+2) Onsite Service Guarantee |
| 2352758P | X546 1-Year Renewal Onsite Service Guarantee |
| Part # | User Replaceable Parts |
| 40X7545 | ADF Separator Roll |
| 40X5472 | ADF Separator Pad |
| 40X5535 | Scanner Cover Cushion |
| 40X5470 | ADF Paper Tray |
| 40X5484 | Output Bin Extension |
| Part # | Service Parts |
| 40X5168 | Pick Tire |
| Part # | NC |
| 2352771 | X546 Installation |

In the box

Lexmark X546dtn multifunction color laser. Includes a 550-Sheet Duo Drawer with 100-Sheet MPF, 4,000*-page Color (CMY) Starter Toner Cartridges, 4,000*-page starter Black Toner Cartridge, 4 Developer units (K, C, M, Y), Photoconductor unit, Software and Documentation CD, Power cord(s), RJ-11 Phone cable or adapter (country dependent), Lexmark Cartridge Collection Program information, Setup guide or sheet (network and local attachment), Statement of limited warranty / guarantee, Operator panel language overlays

Lexmark's guarantee to you

Lexmark's 1-Year Onsite guarantee provides added peace of mind. Enhanced service offerings may be available by contacting your Lexmark representative or visiting www.lexmark.com. Optimise your printer's performance and investment value by using genuine Lexmark supplies, service and parts.



Environmental commitment

Lexmark believes that the environment is a critical component of responsible business management and clearly demonstrates it by implementing the "4R" strategy: Reduce, Recover, Reuse and Recycle. To learn more about these programmes please visit www.lexmark.com/recycle.

Cost saving and environmental features

- Duplex models are Energy Star compliant
- Duplex printing, print and hold (verify print), multi-up printing and quality printing on recycled paper help reduce paper consumption
- Selectable toner saving modes help reduce the amount of toner used on a page.
- Lexmark Cartridge Collection Program helps reduce landfill

