

EPSON[®]
EXCEED YOUR VISION



Epson AcuLaser M2000 Series

High performance A4 mono laser printing for your business

Add speed, efficiency and quality to your office and workgroup printing with Epson's AcuLaser M2000 A4 mono laser series. Combine high-speed 28 ppm and duplex flexibility with simple operation and low print costs.

Choose the model that suits you best: standard version for single user, network version for small workgroups. This compact laser is a fast, efficient addition to any business. From high volume documents to invoices and envelopes, Epson's acclaimed technologies maximise speed and quality and achieve one of the most effective low cost per page printers on the market.

Handle jobs quickly and efficiently with duplex printing as standard, fast processing and Epson MITech Memory Management.

Fast, cost-effective printing – versatile mono laser for all your business printing

Great results – print up to 28 ppm with fast processing and efficient memory management

Print in seconds – Epson Application Specific Integrated Circuit (ASIC) technology processes documents at high speed for fast first page out

Versatile paper management – standard 300 sheets with 50 sheet manual tray and 250 sheet cassette; expandable to 800 sheets with 2 optional 250 sheet cassettes

Integrate easily – Genuine Adobe PostScript driver and PCL as standard

Simple to maintain – long-life components and easy maintenance

Save energy and keep costs low – save paper with duplex printing as standard and high yield toners available for lower cost per page (CPP)

Key benefits:

- Fast 28 ppm printing and a first page out in only 6 seconds
- Standard duplex for efficient use of paper and a professional finish
- 2 models: M2000D with USB and Parallel port, M2000DN with Network and USB
- Easy to integrate into your IT environment: genuine Adobe® PostScript driver and PCL as standard

Epson AcuLaser M2000 Series

Print features

Printing technology	Laser
Resolution	True 1200dpi
Print speed	28 ppm (Duplex: 14 ppm)
First page out	6 seconds
Warm up time	14 seconds
Maximum monthly volume	20,000 pages

Controller specifications

Processor	300 Mhz
Memory	D version: 32MB standard, up to 288MB DN version: 64MB standard, up to 320MB
Printer control language emulations	ESC/Page(B/W), FX, ESCP2, I239X, PCL5e, PCL6, Adobe® PostScript3, PDF 1.3
Resident typefaces	Scalable: 84 ESC/Page, 95 PCL5c, 80 PCL6, 17 PS3 Bitmap: 7 ESC/Page, 5 PCL5c, 1 PCL6 Typeface: 10 ESC/P2, 8 FX, 8 I239X

Interfaces and connectivity

Interfaces	D Model: USB 2.0HS and IEEE 1284 Parallel Port DN Model: USB 2.0HS and Ethernet interface (100Base-TX/10Base-T)
------------	--

Media handling

Standard paper input	300 Sheets (50 Multi-purpose tray + 250 sheet Paper Cassette)
Optional paper handling	Optional 250 sheet Paper Cassette (Max: 2)
Maximum paper input	800 sheets (50 Multi-purpose tray + 250 sheet Paper Cassette+ 2 extra 250 sheet Paper Cassettes)
Duplex	Standard (built-in)
Paper size	A4, A5, B5, LT, GLT, HLT, LGL, GLG, IB5, EXE, C5, C6, DL, F4
Paper weight	60 – 220 g/m ²
Paper output standard/maximum	250 sheets (face down)

Power requirements

Compliance	International Energy Star compliant
Rated voltage/frequency/current	220V to 240V / 50Hz or 60Hz / 3.9 A
Power consumption	840W (Max Operating), 465Wh (Printing), 7Wh (Ready), 3W (Sleep)

System requirement and OS support

System requirements	AcuLaser M2000D: PC: USB Host (1.1) or Parallel, Mac: USB AcuLaser M2000DN: PC: Ethernet or USB Host (1.1), Mac: Ethertalk or USB
Windows/Mac support	Microsoft Windows 2000 / XP / Server 2003 / Microsoft Windows Vista / XP x64 Edition / Server 2003 x64 Edition / Vista x64 Edition / MacOSX 10.2.8 and up For compatibility details relating to Linux, Unix, Novell, SAP, etc. please refer to http://www.business-solutions.epson.co.uk/Compatible.htm
Linux/Unix/Citrix/ SAP/Novell support	

Dimensions and weight

(W x D x H mm, Kg)*	Epson AcuLaser M2000D/DN: 378 x 390 x 255mm, 11.5Kg
---------------------	---

Environmental conditions

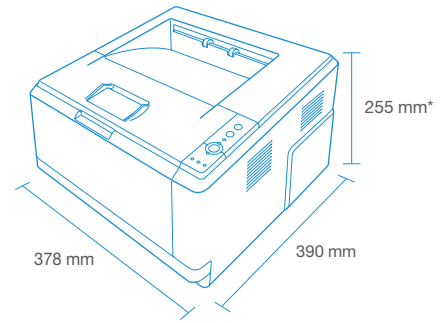
Temperature	Operation: 10 to 32.5 °C / Storage: -20 to 40 °C
Humidity	Operation: 15 to 80% RH / Storage: 10 to 90% RH
Sound power	Operating: 6.9 B; Standby: 4.0 B
Sound pressure	Operating: 55 dB(A); Standby: 30 dB(A)

Safety and regulations

	CE Directive, EN60950 3rd Edition, Low Voltage Directive 73/23/EEC EN 60950, EN60825 Class 1 Laser Product, EN55022 (CIRSPR Publication24) Class B, IEC-61000-4-2/IEC-61000-4-4, JEIDA-37-1998, JBMG-3 (1995), Nordic Agency Approvals, T-AS03-007 Chemical compliance
--	--

Warranty

	1 year on site Optional extension to 3 years (ECPGRP35)
--	--



*Height of D/DN model

Model configurations

Epson AcuLaser M2000D C11CA07011BX
Epson AcuLaser M2000DT C11CA07011BW
(M2000D plus optional 250 sheet Paper Cassette)

Epson AcuLaser M2000DN C11CA07051BX
Epson AcuLaser M2000DTN C11CA07051BW
(M2000DN plus optional 250 sheet Paper Cassette)

Supplies

High capacity toner cartridge, 8000 pages*	C13S050435
Standard capacity toner cartridge, 3500 pages*	C13S050436
Return [†] high capacity toner cartridge, 8000 pages*	C13S050437
Return [†] standard capacity toner cartridge, 3500 pages*	C13S050438
Initial Toner: 2000 pages*	



High capacity



Standard capacity

Options

32MB RAM	7000273
64MB RAM	7000275
128MB RAM	7000276
256MB RAM	7000277
Optional 250 sheet Paper Cassette	C12C802461
Extension to 3 year warranty	ECPGRP35

* ISO 19752

[†] Return toner cartridges provide customers with a lower priced toner cartridge on the agreement that the empty cartridge will be returned via Epson's free toner collection program. The Return & Recycle Programme is part of Epson's global environmental actions and specifically the (Toner) Cartridges collection and the recycling scheme. For more information go to www.epson.co.uk.



For more information please contact

Telephone: 0871 222 6702 (UK)
1 800 409132 (Republic of Ireland)
E-mail: enquiries@epson.co.uk
Chat: etalk.epson-europe.com
Fax: 0871 222 6740

Web: www.epson.co.uk
www.epson.ie